

ALUMINUM STANDS FOR ROOF TOP REFRIGERANT LINES SUPPORT W/ FIXED POST HEIGHT

1- THESE STANDS FOR ROOF TOP REFRIGERANT LINE SUPPORT SHOWN ON THIS PRODUCT EVALUATION DOCUMENT (P.E.D) HAVE BEEN VERIFIED FOR CODE COMPLIANCE IN ACCORDANCE WITH THE 2023 (8th EDITION) OF THE FLORIDA BUILDING CODE AND CHAPTER 20 OF SAME, FOR USE WITHIN THE HIGH VELOCITY HURRICANE ZONE (HVHZ) OR OUT OF IT. DESIGN PRESSURES CALCULATED FOR USE WITH THIS SYSTEM SHALL BE DETERMINED SEPARATELY ON A JOB-SPECIFIC BASIS IN ACCORDANCE WITH THE GOVERNING CODE USING ASD METHODOLOGY, IN ACCORDANCE WITH ASCE 7-22 AND SECTIONS 1609.1.1, 1616.1.1, 1620.1, 1620.2, 1620.3, 1620.6 & 1620.7 OF THE FLORIDA BUILDING CODE, AND SHALL BE LESS THAN OR EQUAL TO THE LATERAL AND UPLIFT DESIGN PRESSURE CAPACITY VALUES LISTED HEREIN (SHEETS 3 & 4) FOR ANY ASSEMBLY.

2- THE ARCHITECT/ENGINEER OF RECORD FOR THE EXISTING STRUCTURE THAT WILL SUPPORT THESE ALUMINUM STANDS SHALL BE RESPONSIBLE FOR ITS INTEGRITY AND SHALL VERIFY THE ADEQUACY OF THE EXISTING STRUCTURE TO WITHSTAND THE SUPERIMPOSED LOADS (ASD) - REF "REACTION SCHEDULE #1" INDICATED ON THIS SHEET, WHERE REACTION FORCES ARE LISTED FOR USE WITH EXISTING STRUCTURE. DESIGN PROFESSIONAL OF RECORD SHALL VERIFY APPLICABILITY AND/OR ADDITIONAL FACTORS FOR USE WITH EXISTING STRUCTURE VERIFICATION.

3- CONNECTION (TIE DOWN) OF REFRIGERANT PIPES STAND IS NOT INCLUDED, AND SHALL BE PERFORMED IN A JOB BY JOB BASIS.

4- STAND SHALL BE INSTALLED WITH MINIMUM CLEAR HEIGHT AS SPECIFIED ON THIS P.E.D.

5- STRUCTURAL ADEQUACY OF REFRIGERANT PIPES FOR WIND RESISTANCE IS NOT PART OF THIS DOCUMENT AND MUST BE VERIFIED SEPARATELY.

6- ELECTRICAL GROUND, WHEN REQUIRED, TO BE DESIGNED & INSTALLED BY OTHERS. ALL MECHANICAL SPECIFICATIONS (CLEAR SPACE, TONNAGE, ETC.) SHALL BE AS PER MANUFACTURER RECOMMENDATIONS AND ARE THE EXPRESS RESPONSIBILITY OF THE CONTRACTOR.

7- MAXIMUM DIMENSIONS OF REFRIGERANT PIPES SHALL CONFORM TO SPECIFICATIONS STATED HEREIN, SEE SHEET 2.

8- ALL ANCHORS SHALL BE AS SPECIFIED ON THIS DRAWING, AND SHALL COMPLY WITH SECTION 2411.3.3.4 OF THE FLORIDA BUILDING CODE.

9- ALL ALUMINUM EXTRUSIONS SHALL BE 6061-T6 ALLOY & TEMPER, UNLESS NOTED OTHERWISE. WELDING SHALL BE PERFORMED IN ACCORDANCE WITH AWS D 1.2 REQUIREMENTS, USING 5356 FILLER ALLOYS.

10- ALL EXISTING CONCRETE SUBSTRATE SHALL HAVE MINIMUM COMPRESSIVE STRENGTH OF 3000 PSI.

11- ALL ALUMINUM EXTRUSIONS IN CONTACT WITH DISSIMILAR MATERIALS SHALL COMPLY WITH SECTION III-6 OF THE 2020 ALUMINUM DESIGN MANUAL.

12- ENGINEER SEAL AFFIXED HERETO VALIDATE STRUCTURAL DESIGN AS SHOWN ONLY. USE OF THIS SPECIFICATION BY CONTRACTOR, et. al. INDEMNIFIES & SAVES HARMLESS THIS ENGINEER FOR ALL COST & DAMAGES INCLUDING LEGAL FEES & APPELLATE FEES RESULTING FROM MATERIAL FABRICATION, SYSTEM ERECTION, CONSTRUCTION PRACTICES BEYOND THAT WHICH IS CALLED FOR BY LOCAL, STATE, & FEDERAL CODES & FROM DEVIATIONS OF THIS PLAN. EXCEPT AS EXPRESSLY PROVIDED HEREIN, NO ADDITIONAL CERTIFICATIONS OR AFFIRMATIONS ARE INTENDED ON THIS DOCUMENT.

13- WATER-TIGHTNESS OF EXISTING HOST SUBSTRATE SHALL BE THE FULL RESPONSIBILITY OF THE INSTALLING CONTRACTOR. CONTRACTOR SHALL ENSURE THAT ANY REMOVED OR ALTERED WATERPROOFING MEMBRANE IS RESTORED AFTER FABRICATION AND INSTALLATION OF STRUCTURE PROPOSED HEREIN. THIS ENGINEER SHALL NOT BE RESPONSIBLE FOR ANY WATERPROOFING OR LEAKAGE ISSUES WHICH WAY OCCUR AS WATER-TIGHTNESS SHALL BE THE FULL RESPONSIBILITY OF THE INSTALLING CONTRACTOR.

14- (a) THIS P.E.D. (PRODUCT EVALUATION DOCUMENT) PREPARED BY THIS ENGINEER IS GENERIC AND DOES NOT PROVIDE INFORMATION FOR A SITE SPECIFIC PROJECT; i.e. WHERE THE SITE CONDITIONS DEVIATE FROM THE P.E.D.

(b) CONTRACTOR TO BE RESPONSIBLE FOR THE SELECTION, PURCHASE AND INSTALLATION INCLUDING LIFE SAFETY OF THIS PRODUCT, BASED ON THIS P.E.D., PROVIDED HE/SHE DOES NOT DEVIATE FROM THE CONDITIONS DETAILED ON THIS DOCUMENT. CONSTRUCTION SAFETY AT SITE IS THE CONTRACTOR'S RESPONSIBILITY.

(c) THIS P.E.D. WILL BE CONSIDERED INVALID IF ALTERED BY ANY MEANS.

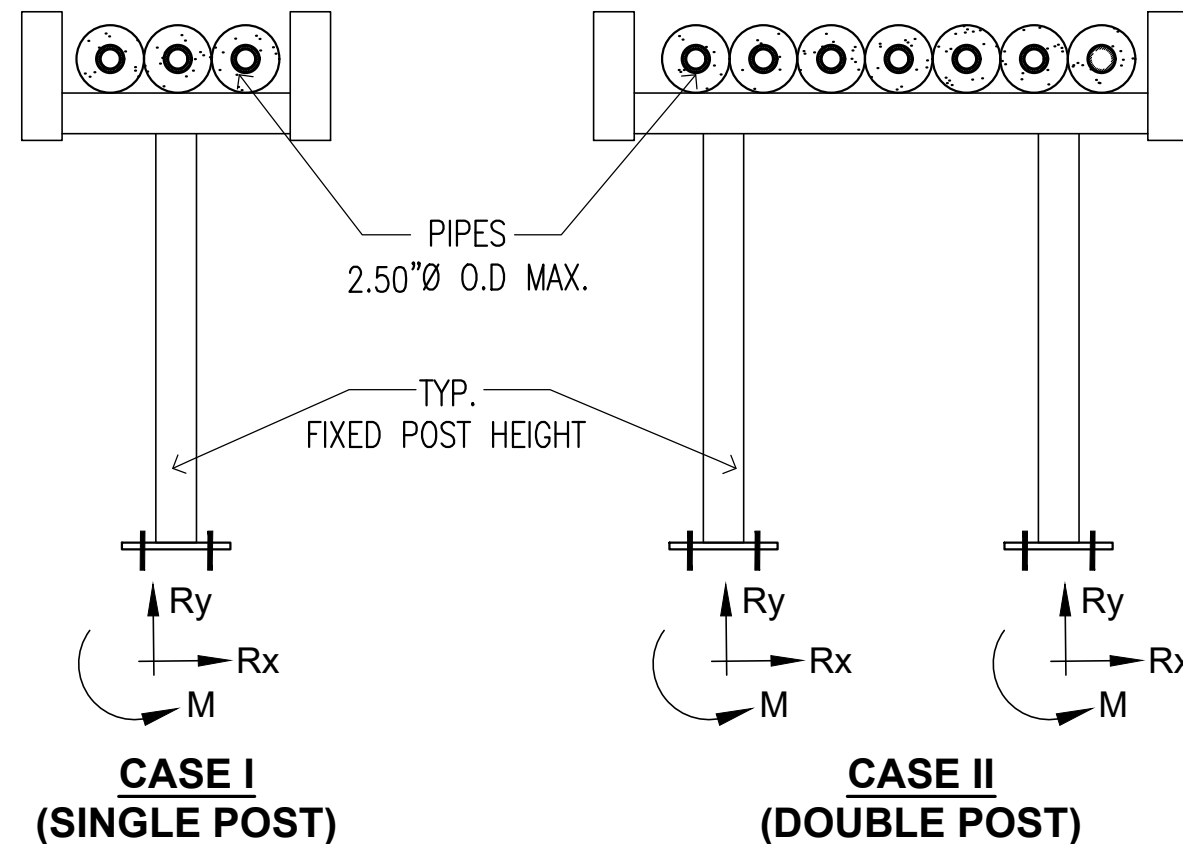
(d) SITE SPECIFIC PROJECTS SHALL BE PREPARED BY A FLORIDA REGISTERED ENGINEER OR ARCHITECT WHICH WILL BECOME THE ENGINEER OF RECORD (E.O.R.) FOR THE PROJECT AND WHO WILL BE RESPONSIBLE FOR THE PROPER USE OF THE P.E.D.

(e) ORIGINAL P.E.D. SHALL BEAR THE DATE AND ORIGINAL SEAL AND SIGNATURE OF THE PROFESSIONAL ENGINEER OF RECORD THAT PREPARED IT.

15- THIS PRODUCT SHALL BE SUBJECTED TO A QUALITY CONTROL BY MANUFACTURER.

SCHEDULE #1 MAX. REACTION (SEE NOTE 2)

REACTIONS @ BASE PLATE		
Rx (Lb)	Ry (Lb)	M (Lb-in)
52	533	1463



FLORIDA BUILDING CODE (High and Non High Velocity Hurricane Zone)

DRAWN BY: W.H
01/17/2024
DATE
23-248
DRAWING No
SHEET 1 OF 5

ALUMINUM STANDS FOR ROOF TOP REFRIGERANT LINES SUPPORT W/ FIXED POST HEIGHT

F&L ALUMINUM PARTS, INC.
2087 N. POWERLINE RD. SUITE #1
POMPANO BEACH, FL. 33069

REV. NO	DATE	DESCRIPTION
1	-	-
2	-	-
3	-	-
4	-	-

© 2024 TILTECO INC.

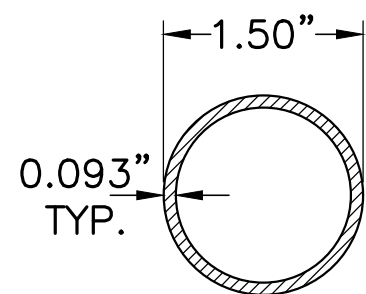
TILTECO INC.

TILLIT TESTING & ENGINEERING COMPANY
6355 N.W. 36th St. Ste. 305 VIRGINIA GARDENS, FL 33166
Phone : (305)671-1530 . Fax : (305)671-1531
e-mail: tilteco@aol.com
CA-0006719
WALTER A. TILLIT JR. P.E.
FLORIDA Lic. # 44167

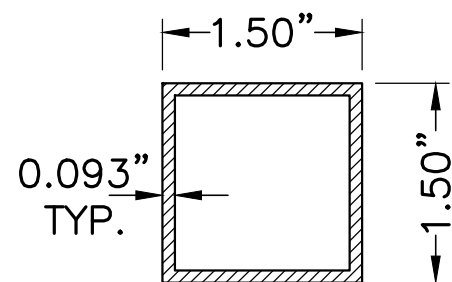
P.E. SEAL/SIGNATURE/DATE

BILL OF MATERIALS

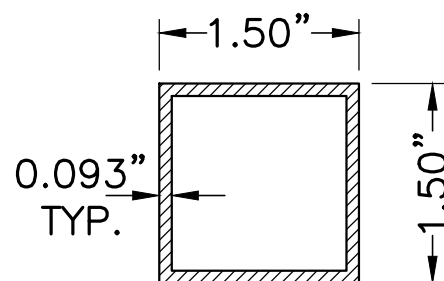
COMPONENT No.	DESCRIPTION	DIMENSIONS	MATERIAL	MANUFACTURER	NOTES
①	ALUMINUM POST	1.50"Ø & 0.093"THK.	6061-T6 ALLOY.	-	WELDED TO ③ & ②
①A	OPTIONAL SQUARE ALUMINUM POST	1.50"x1.50"x0.093"THK.	6061-T6 ALLOY.	-	WELDED TO ③ & ②
②	TUBE RAIL	1.50"x1.50"x0.093"THK.	6061-T6 ALLOY.	-	SUPPORT FOR PIPES. WELDED TO ① OR ①A
③	BASE PLATE	4.00" X 4.00" X 1/4"THK.	6061-T6 ALLOY.	-	WELDED TO ① OR ①A & ANCHORED W/⑤ TO EXISTING STRUCTURE.
⑤	BASE PLATE ANCHOR	1/4"Ø ULTRACON 410 S.	304 SERIES SS.	DEWALT INC.	1 3/4"MIN. EMBEDM. INTO EXISTING CONCRETE SLAB & 2 1/2"E.D
		1/4"Ø POWER STUD+SD4	304 SERIES SS.	DEWALT INC.	2" MIN. EMBEDM. INTO EXISTING CONCRETE SLAB & 3 1/2"MIN. E.D
⑥	HORIZONTAL REFRIGERANT LINE	0.875", 1.00" OR 1.50" O.D W/3/4"MAX INSULATION. TOTAL O.D = 2.50" MAX.	SCHEDULE 40 ASTM A 53 TYPE BLACK STEEL OR EQUAL.	-	SEE NOTE 6 ON SHEET 1.



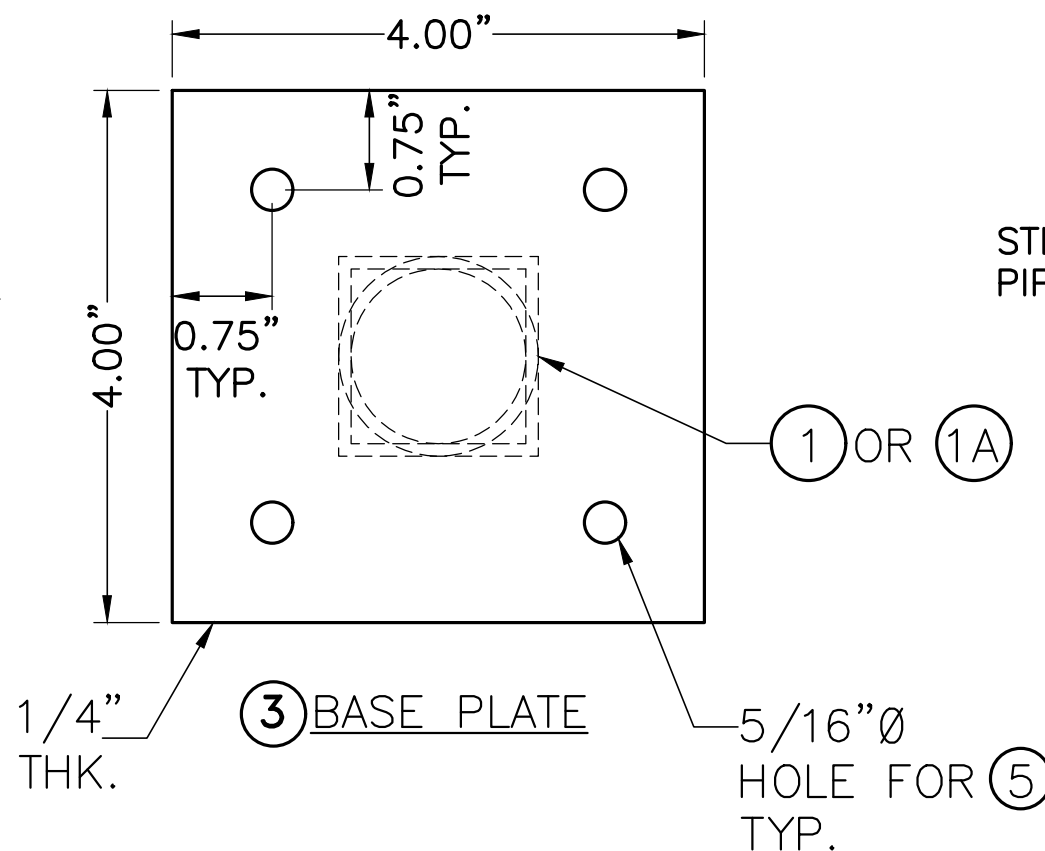
① ALUMINUM POST



①A OPTIONAL SQUARE ALUMINUM POST

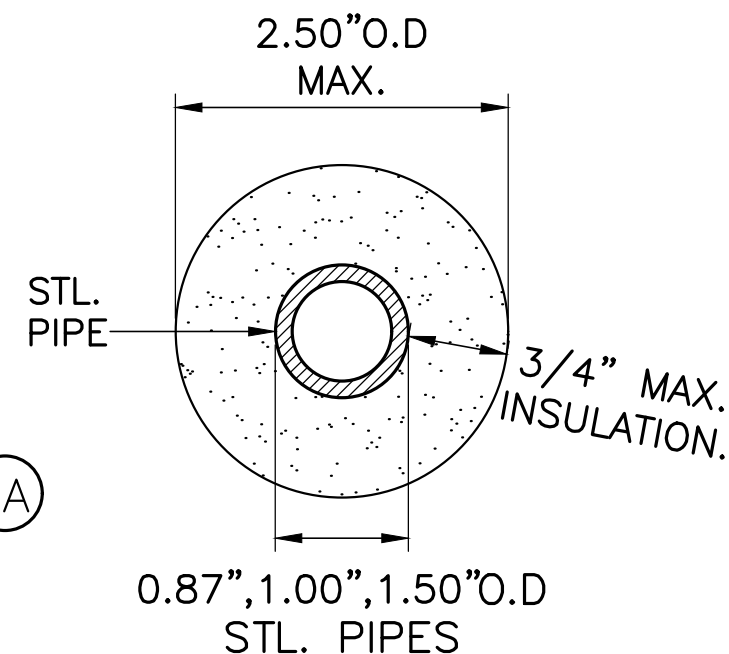


② TUBE RAIL



③ BASE PLATE

SCALE: N.T.S



⑥ HORIZONTAL REFRIGERANT LINE

FLORIDA BUILDING CODE (High and Non High Velocity Hurricane Zone)

ALUMINUM STANDS FOR ROOF TOP REFRIGERANT LINES SUPPORT W/ FIXED POST HEIGHT

F&L ALUMINUM PARTS, INC.

2087 N. POWERLINE RD. SUITE #1
POMPANO BEACH, FL. 33069

REV. NO.	DESCRIPTION	DATE	REV. NO.	DESCRIPTION	DATE
1			3		
2			4		

DRAWN BY: W.H
DATE: 01/17/2024

23-248
DRAWING No

SHEET 2 OF 5

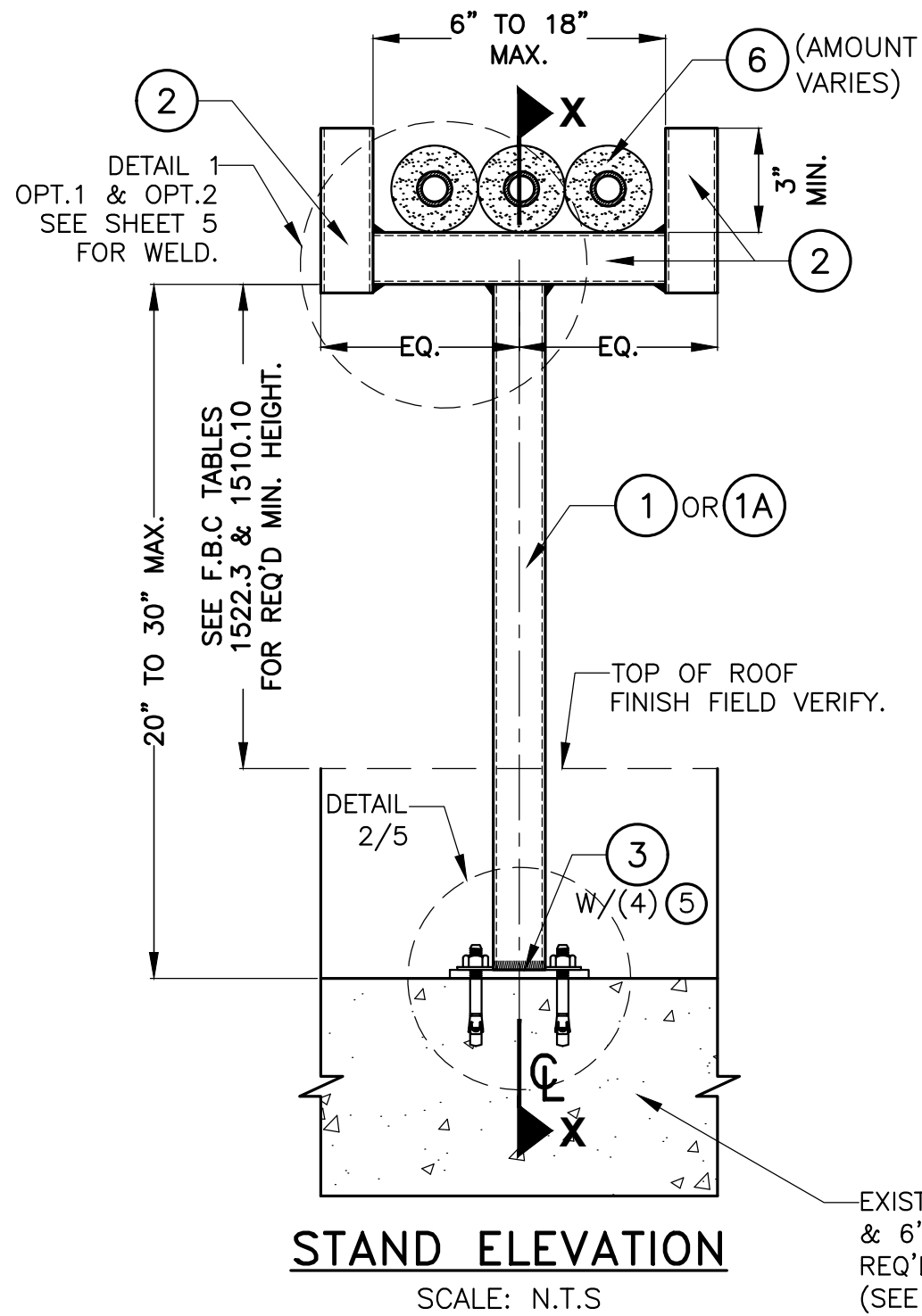
© 2024 TILTECO INC.



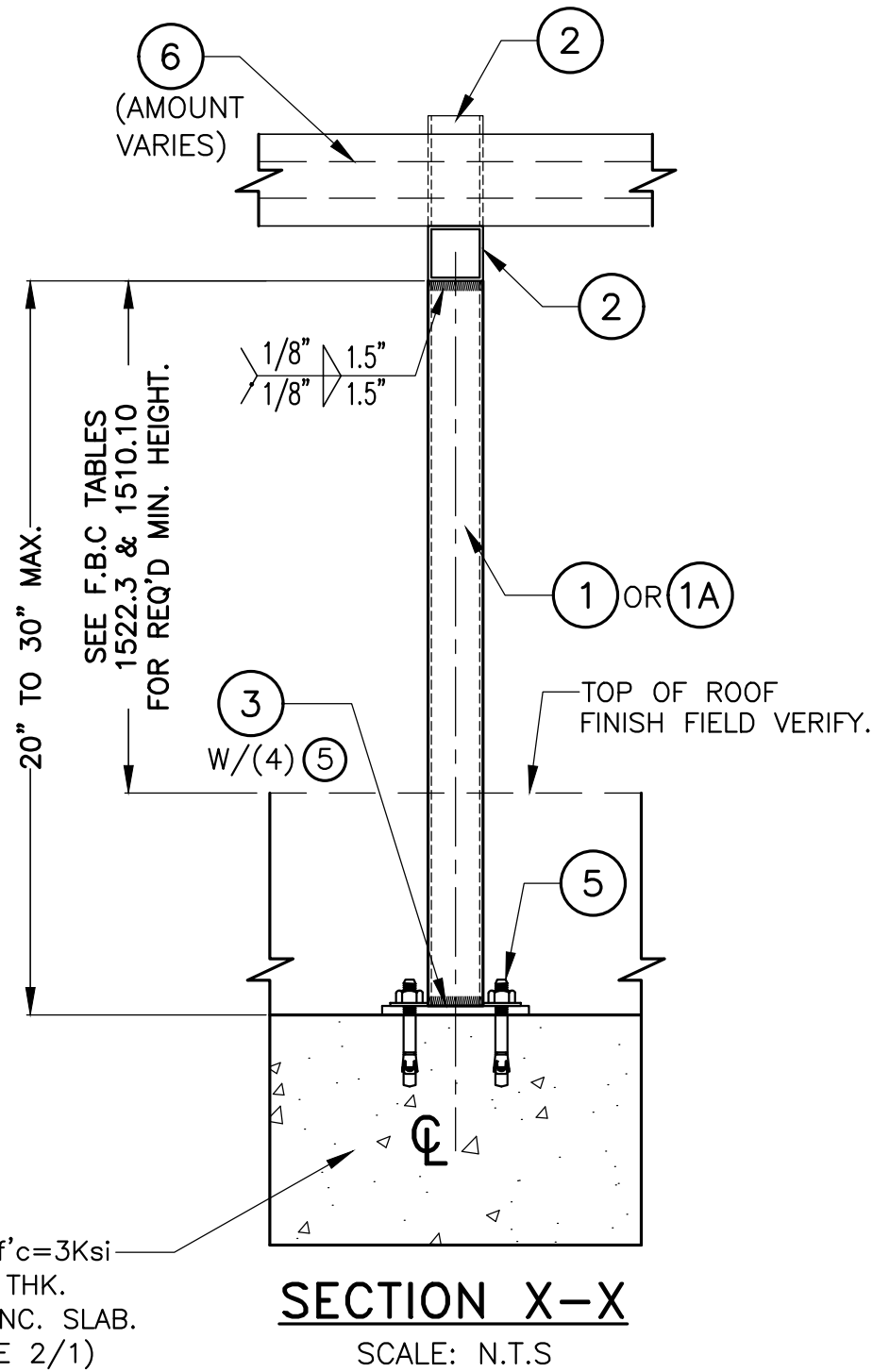
TILITESTING & ENGINEERING COMPANY
6355 N.W. 36th St. Ste. 305, VIRGINIA GARDENS, FL 33166
Phone: (305)671-1530 Fax: (305)671-1531
e-mail: tilteco@aol.com

WALTER A. TILIT JR. P.E.
FLORIDA Lic. # 44167

P.E. SEAL/SIGNATURE/DATE



EXISTING $f'_c=3Ksi$
& 6" MIN. THK.
REQ'D CONC. SLAB.
(SEE NOTE 2/1)



**SINGLE POST PIPE STAND
MAX. SPACING SCHEDULE:**

A.S.D WIND PRESSURE (psf)		STAND CLEAR HEIGHT		
LATERAL	UPLIFT	20"	24"	30"
40	31.6	5'-0"	5'-0"	5'-0"
45	35.5	5'-0"	5'-0"	5'-0"
50	39.5	5'-0"	5'-0"	4'-10"
55	43.4	5'-0"	5'-0"	4'-0"
60	47.4	5'-0"	4'-8"	3'-9"
65	51.3	5'-0"	4'-4"	3'-6"
70	55.3	4'-10"	4'-0"	3'-3"
75	59.2	4'-6"	3'-9"	3'-0"

CASE I (SINGLE POST)

FLORIDA BUILDING CODE (High and Non High Velocity Hurricane Zone)

ALUMINUM STANDS FOR ROOF TOP REFRIGERANT
LINES SUPPORT W/ FIXED POST HEIGHT

DRAWN BY: W.H
DATE: 01/17/2024

23-248
DRAWING No

SHEET 3 OF 5

F&L ALUMINUM PARTS, INC.
2087 N. POWERLINE RD. SUITE #1
POMPANO BEACH, FL. 33069

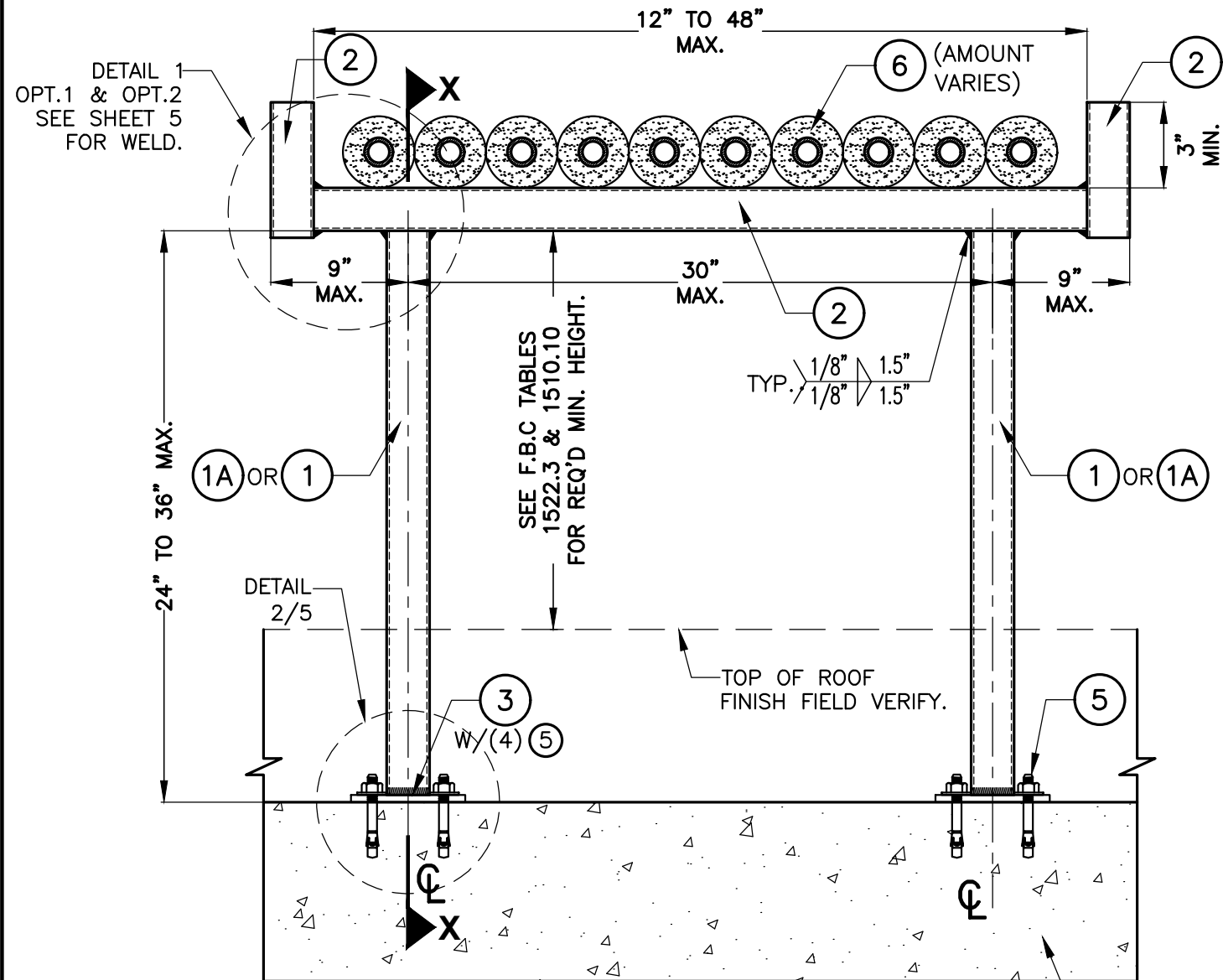
© 2024 TILTECO INC.

TILTECO INC.

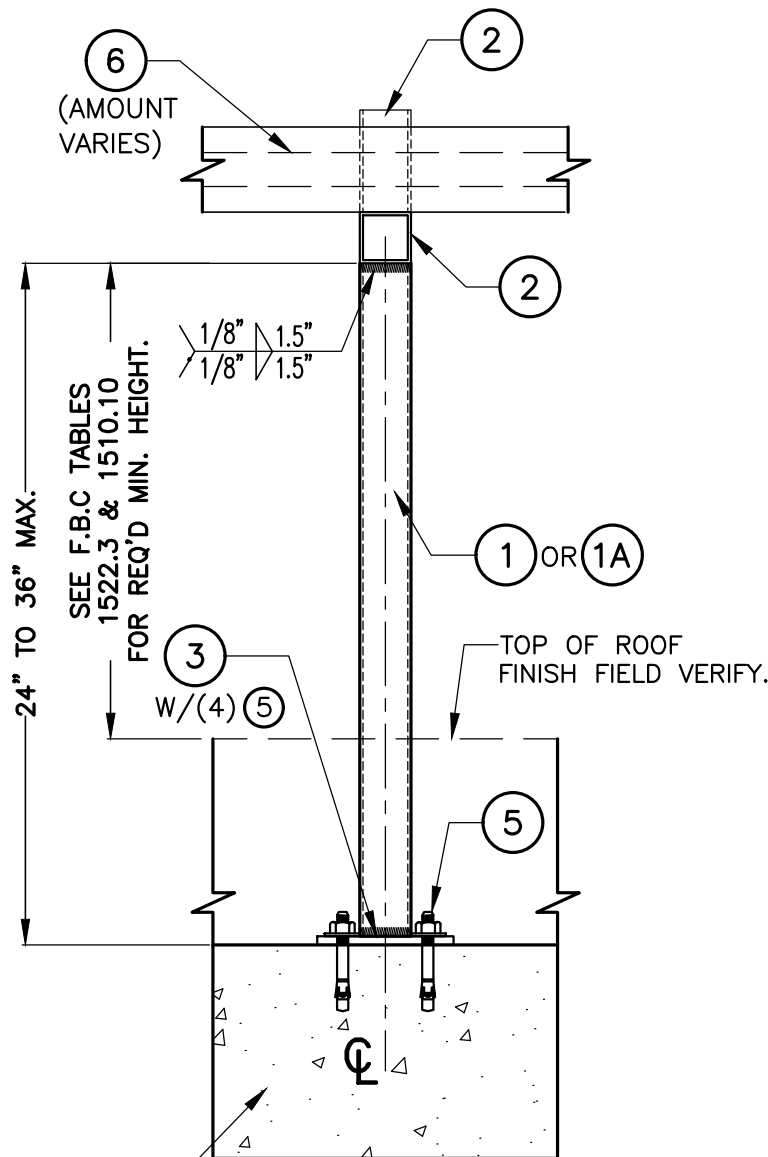
TILLIT TESTING & ENGINEERING COMPANY
6355 N.W. 36th St. Ste. 305, VIRGINIA GARDENS, FL 33166
Phone: (305)671-1530 Fax: (305)671-1531
e-mail: tilteco@aol.com

WALTER A. TILLIT JR. P.E.
FLORIDA Lic. # 44167

P.E. SEAL/SIGNATURE/DATE



STAND ELEVATION
SCALE: N.T.S



SECTION X-X
SCALE: N.T.S

EXISTING $f'_c=3Ksi$
& 6" MIN. THK.
REQ'D CONC. SLAB.
(SEE NOTE 2/1)

**DOUBLE POST PIPE STAND
MAX. SPACING SCHEDULE:**

A.S.D WIND PRESSURE (psf)		STAND CLEAR HEIGHT		
LATERAL	UPLIFT	24"	30"	36"
40	31.6	5'-0"	5'-0"	5'-0"
45	35.5	5'-0"	5'-0"	5'-0"
50	39.5	5'-0"	5'-0"	5'-0"
55	43.4	5'-0"	5'-0"	5'-0"
60	47.4	5'-0"	5'-0"	5'-0"
65	51.3	5'-0"	5'-0"	5'-0"
70	55.3	5'-0"	5'-0"	4'-10"
75	59.2	5'-0"	5'-0"	4'-6"

CASE II (DOUBLE POST)

FLORIDA BUILDING CODE (High and Non High Velocity Hurricane Zone)

ALUMINUM STANDS FOR ROOF TOP REFRIGERANT LINES SUPPORT W/ FIXED POST HEIGHT		DRAWN BY: W.H	DATE 01/17/2024
F&L ALUMINUM PARTS, INC.		REV. NO.	DESCRIPTION
2087 N. POWERLINE RD. SUITE #1 POMPANO BEACH, FL. 33069		1	-
2		3	-
3		4	-
4		5	-
5		6	-
6		7	-
7		8	-
8		9	-
9		10	-
10		11	-
11		12	-
12		13	-
13		14	-
14		15	-
15		16	-
16		17	-
17		18	-
18		19	-
19		20	-
20		21	-
21		22	-
22		23	-
23		24	-
24		25	-
25		26	-
26		27	-
27		28	-
28		29	-
29		30	-
30		31	-
31		32	-
32		33	-
33		34	-
34		35	-
35		36	-
36		37	-
37		38	-
38		39	-
39		40	-
40		41	-
41		42	-
42		43	-
43		44	-
44		45	-
45		46	-
46		47	-
47		48	-
48		49	-
49		50	-
50		51	-
51		52	-
52		53	-
53		54	-
54		55	-
55		56	-
56		57	-
57		58	-
58		59	-
59		60	-
60		61	-
61		62	-
62		63	-
63		64	-
64		65	-
65		66	-
66		67	-
67		68	-
68		69	-
69		70	-
70		71	-
71		72	-
72		73	-
73		74	-
74		75	-
75		76	-
76		77	-
77		78	-
78		79	-
79		80	-
80		81	-
81		82	-
82		83	-
83		84	-
84		85	-
85		86	-
86		87	-
87		88	-
88		89	-
89		90	-
90		91	-
91		92	-
92		93	-
93		94	-
94		95	-
95		96	-
96		97	-
97		98	-
98		99	-
99		100	-
100		101	-
101		102	-
102		103	-
103		104	-
104		105	-
105		106	-
106		107	-
107		108	-
108		109	-
109		110	-
110		111	-
111		112	-
112		113	-
113		114	-
114		115	-
115		116	-
116		117	-
117		118	-
118		119	-
119		120	-
120		121	-
121		122	-
122		123	-
123		124	-
124		125	-
125		126	-
126		127	-
127		128	-
128		129	-
129		130	-
130		131	-
131		132	-
132		133	-
133		134	-
134		135	-
135		136	-
136		137	-
137		138	-
138		139	-
139		140	-
140		141	-
141		142	-
142		143	-
143		144	-
144		145	-
145		146	-
146		147	-
147		148	-
148		149	-
149		150	-
150		151	-
151		152	-
152		153	-
153		154	-
154		155	-
155		156	-
156		157	-
157		158	-
158		159	-
159		160	-
160		161	-
161		162	-
162		163	-
163		164	-
164		165	-
165		166	-
166		167	-
167		168	-
168		169	-
169		170	-
170		171	-
171		172	-
172		173	-
173		174	-
174		175	-
175		176	-
176		177	-
177		178	-
178		179	-
179		180	-
180		181	-
181		182	-
182		183	-
183		184	-
184		185	-
185		186	-
186		187	-
187		188	-
188		189	-
189		190	-
190		191	-
191		192	-
192		193	-
193		194	-
194		195	-
195		196	-
196		197	-
197		198	-
198		199	-
199		200	-
200		201	-
201		202	-
202		203	-
203		204	-
204		205	-
205		206	-
206		207	-
207		208	-
208		209	-
209		210	-
210		211	-
211		212	-
212		213	-
213		214	-

