

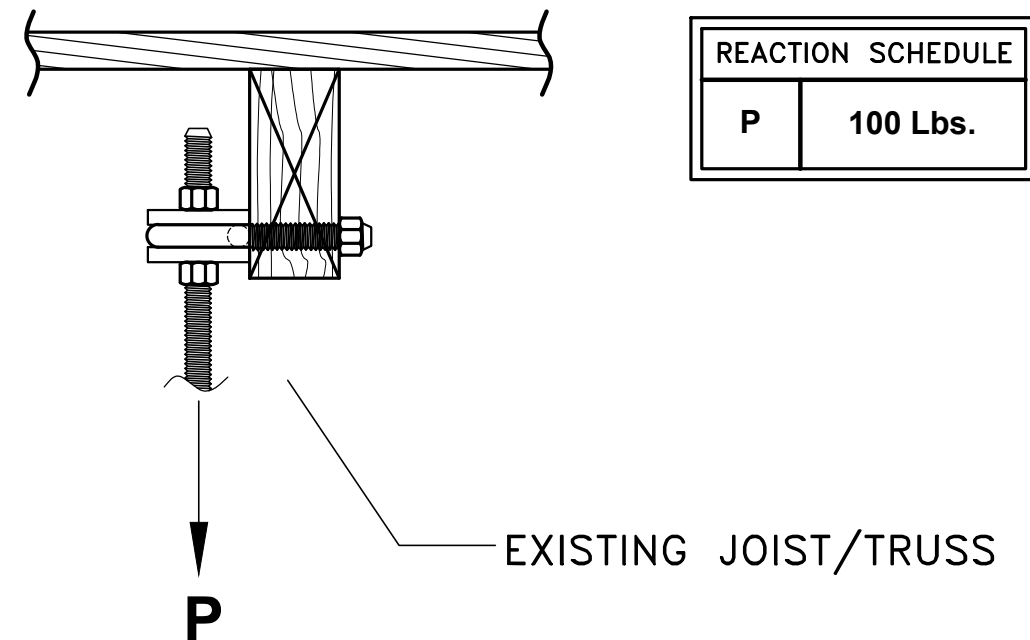
INTERIOR A.H.U ROOF HANGING STEEL STANDS.

- 1- THIS INTERIOR A.H.U ROOF HANGING STEEL STANDS SHOWN ON THIS PRODUCT EVALUATION DOCUMENT (P.E.D) HAVE BEEN VERIFIED FOR CODE COMPLIANCE IN ACCORDANCE WITH THE 2023 (8th EDITION) OF THE FLORIDA BUILDING CODE, FOR USE WITHIN THE HIGH VELOCITY HURRICANE ZONE (HVHZ) AND OUT OF IT. DESIGN DEAD LOAD (TOTAL) WHICH INCLUDE THE WEIGHT OF A.H.U + ADDITIONAL COMPONENTS FOR THE STAND SHALL BE LIMITED TO 210 Lbs FOR THE A.H.U EQUIPMENT & FOR A TOTAL WEIGHT OF STAND + A.H.U OF 328 Lbs.
- 2- THE ARCHITECT/ENGINEER OF RECORD FOR THE EXISTING ROOF STRUCTURE THAT WILL SUPPORT THESE STEEL STANDS SHALL BE RESPONSIBLE FOR ITS INTEGRITY AND SHALL VERIFY THE ADEQUACY OF THE EXISTING ROOF STRUCTURE TO WITHSTAND THE SUPERIMPOSED LOADS (ASD) - REF "REACTION SCHEDULE" INDICATED ON THIS SHEET, WHERE REACTION FORCES ARE LISTED FOR USE WITH EXISTING STRUCTURE. DESIGN PROFESSIONAL OF RECORD SHALL VERIFY APPLICABILITY AND/OR ADDITIONAL FACTORS FOR USE WITH EXISTING STRUCTURE VERIFICATION.
- 3- STAND SHALL BE INSTALLED WITH MINIMUM CLEAR HEIGHT IN RESPECT TO EXISTING FLOOR AS INDICATED ON THIS P.E.D.
- 4- STAND SHALL INCLUDE DIRECT DRAINAGE OF ANY LEAKED WATER FROM A.H.U, WHICH SHALL CONSIST OF A MIN OF 1" PVC DRAIN PIPE INSTALLED AT LARGEST DIMENSION OF TRAY (COMPONENT 4) INSTALLED TOWARDS THE BOTTOM OF THE 2" HIGH PERIMETER WALL OF TRAY. SEE SHEETS 2 THRU 4 FOR SYSTEM #1 & SHEETS 9 THRU 11 FOR SYSTEM #2.
- 5- CONNECTION OF AIR HANDLER UNIT TO STAND (IF REQUIRED BY A.H.U MANUFACTURER) IS NOT INCLUDED ON THIS P.E.D., BUT SHALL BE PERFORMED AS PER MANUFACTURER'S SPECS.
- 6- ELECTRICAL GROUND, WHEN REQUIRED, TO BE DESIGNED & INSTALLED BY OTHERS. ALL MECHANICAL SPECIFICATIONS (CLEAR SPACE, TONNAGE, ETC.) SHALL BE AS PER MANUFACTURER RECOMMENDATIONS AND ARE THE EXPRESS RESPONSIBILITY OF THE CONTRACTOR.
- 7- ALL SCREWS & BOLTS SHALL BE AS SPECIFIED ON THIS DRAWING, AND SHALL COMPLY WITH SECTION 2411.3.3.4 OF THE FLORIDA BUILDING CODE.
- 8- ALL STAND COMPONENTS SHALL BE AS INDICATED ON BILL OF MATERIALS, SHEETS 2 (SYSTEM #1) AND 9 (SYSTEM #2) OF THIS P.E.D. WELDING SHALL BE PERFORMED IN ACCORDANCE WITH AWS D 1.1 REQUIREMENTS, USING E60XX ELECTRODES.
- 9- ALL EXISTING WOOD ROOF SHALL HAVE MINIMUM $G=0.55$ (SPECIFIC GRAVITY) AND TO BE MIN. 1.50" WIDE AT JOIST/ TRUSSES.
- 10- ENGINEER SEAL AFFIXED HERETO VALIDATE STRUCTURAL DESIGN AS SHOWN ONLY. USE OF THIS SPECIFICATION BY CONTRACTOR, et. al. INDEMNIFIES & SAVES HARMLESS THIS ENGINEER FOR ALL COST & DAMAGES INCLUDING LEGAL FEES & APPELLATE FEES RESULTING FROM MATERIAL FABRICATION, SYSTEM ERECTION, CONSTRUCTION PRACTICES BEYOND THAT WHICH IS CALLED FOR BY LOCAL, STATE, & FEDERAL CODES & FROM DEVIATIONS OF THIS PLAN. EXCEPT AS EXPRESSLY PROVIDED HEREIN, NO ADDITIONAL CERTIFICATIONS OR AFFIRMATIONS ARE INTENDED ON THIS DOCUMENT.

THIS DRAWING SHALL ONLY BE USED TO OBTAIN PERMITS IN THE STATE OF FLORIDA

- 11- (a) THIS P.E.D. (PRODUCT EVALUATION DOCUMENT) PREPARED BY THIS ENGINEER IS GENERIC AND DOES NOT PROVIDE INFORMATION FOR A SITE SPECIFIC PROJECT; i.e. WHERE THE SITE CONDITIONS DEVIATE FROM THE P.E.D.
- (b) CONTRACTOR TO BE RESPONSIBLE FOR THE SELECTION, PURCHASE AND INSTALLATION INCLUDING LIFE SAFETY OF THIS PRODUCT, BASED ON THIS P.E.D., PROVIDED HE/SHE DOES NOT DEVIATE FROM THE CONDITIONS DETAILED ON THIS DOCUMENT. CONSTRUCTION SAFETY AT SITE IS THE CONTRACTOR'S RESPONSIBILITY.
- (c) THIS P.E.D. WILL BE CONSIDERED INVALID IF ALTERED BY ANY MEANS.
- (d) SITE SPECIFIC PROJECTS SHALL BE PREPARED BY A FLORIDA REGISTERED ENGINEER OR ARCHITECT WHICH WILL BECOME THE ENGINEER OF RECORD (E.O.R.) FOR THE PROJECT AND WHO WILL BE RESPONSIBLE FOR THE PROPER USE OF THE P.E.D.
- (e) ORIGINAL P.E.D. SHALL BEAR THE DATE AND ORIGINAL SEAL AND SIGNATURE OF THE PROFESSIONAL ENGINEER OF RECORD THAT PREPARED IT.

12- THIS PRODUCT EVALUATION DOCUMENT (P.E.D) MUST BE SIGNED & SEALED BY THIS ENGINEER WHEN USED FOR APPLYING FOR A BUILDING PERMIT.



FLORIDA BUILDING CODE (High and Non High Velocity Hurricane Zone)

DRAWN BY: W.H

DATE: 02/08/2024

DRAWING No: 24-009

SHEET 1 OF 15

INTERIOR A.H.U ROOF HANGING STEEL STANDS

F&L ALUMINUM PARTS, INC.

2087 N. POWERLINE RD. SUITE #1
POMPANO BEACH, FL. 33069

REV. No	DESCRIPTION	DATE	REV. No	DESCRIPTION	DATE
1			3		
2			4		

© 2024 TILTECO INC.
TILTECO INC.
 TILLIT TESTING & ENGINEERING COMPANY
 6355 N.W. 36th St. Ste. 305 VIRGINIA GARDENS, FL 33166
 Phone : (305)671-1530 . Fax : (305)671-1531
 e-mail: tilteco@aol.com
 CA-0006719
 WALTER A. TILLIT JR. P.E.
 FLORIDA Lic. # 44167

THIS ITEM HAS BEEN DIGITALLY SIGNED AND SEALED BY

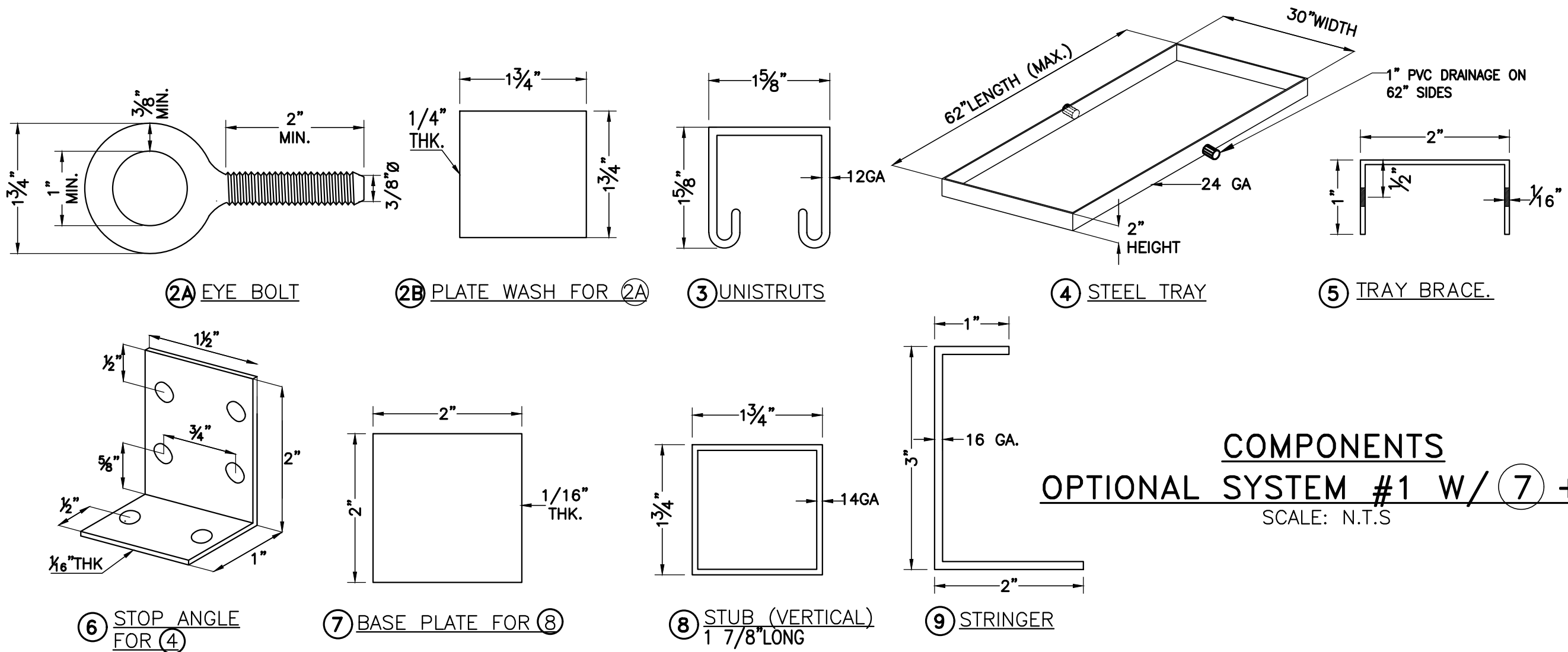
PRINTED COPIES OF THIS DOCUMENT ARE NOT CONSIDERED SIGNED AND SEALED AND THE SIGNATURE MUST BE VERIFIED ON ANY ELECTRONIC COPIES.

WALTER A. TILLIT JR., P.E.
FLORIDA Lic. # 44167

ATTENTION BUILDING OFFICIAL:
THIS DRAWING WILL EXPIRE 4 DAYS AFTER THE DATE IS WAS SIGNED BY THIS P.E

BILL OF MATERIALS FOR OPTIONAL SYSTEM #1 W/ (7) + (8)

COMPONENT No.	DESCRIPTION	DIMENSIONS	MATERIAL	MANUFACTURER	NOTES
①	THREADED ROD.	3/8"Ø-16	Fy=36Ksi Fu=60Ksi	-	HANGING ROD W/DOUBLE NUT AT ③ & W/ ②A & (2) ②B TO EXISTING WOOD JOIST/TRUSS. USE (4) PER STAND. SEE DETAIL 3/8
②A	EYE BOLT.	3/8"Ø SEE DETAIL	ASTM A-489 HOT DIP GALVANIZED W/ Fy=30Ksi, Fu=65-90Ksi, Su=36-54Ksi.	-	USE W/ (2) ②B FOR CONNECTION OF ① TO EXISTING WOOD JOIST/TRUSS. USE W/ NUT @ WOOD JOIST/TRUSS. SEE DETAIL 3/8
②B	PLATE WASHER FOR ②A	1 3/4" x 1 3/4" x 1/4"THK.	COATED STEEL ASTM A-36	-	USE W/ ②A FOR CONNECTION OF ① TO EXISTING WOOD JOIST/TRUSS. SEE DETAIL 3 ON SHEET 8. USE ABOVE & BELOW ②A EA CONNECTION
③	UNISTRUT.	1 5/8" x 1 5/8" x 12GA x 3'-0" LONG.	HOT DIPPED GALV. STL. ASTM A-653 GRADE 42.	COOPER INDUSTRIES INC. OR EQUAL.	SUPPORT FOR TRAY + A.H.U. CONNECTED TO ① W/ DOUBLE NUT. SEE DETAIL 1 ON SHEET 6.
④	STEEL TRAY.	MAX. 62"LENGTH x MAX. 30"WIDTH x 2"HEIGHT x 24GA.	GALVANIZED STEEL ASTM A653 GR 33	-	WELDED EACH CORNER, W/ (2) PVC DRAIN WITH RUBBERIZED WASHER AT LARGER SIZE
⑤	TRAY BRACE.	2" x 1" x 1/16"THK. x 29.94"LONG	GALVANIZED STEEL ASTM A653 GR 33	-	INSTALL INSIDE ④. SEE DETAIL 1 ON SHEET 6 FOR CONNECTION TO ④. SEE CONNECTION TO ⑧ ON DETAIL 1/6
⑥	STOP ANGLE FOR ④	1" x 2" x 1/16"THK x 0'-1 1/2"LONG.	GALVANIZED STEEL ASTM A653 GR 33	-	CONNECT TO ④ & TO ③ SEE DETAIL 1 ON SHEET 6. USE (4) ⑥ EA. STAND @ ③
⑦	BASE PLATE FOR ⑧	2" x 2" x 1/16"THK.	GALVANIZED STEEL ASTM A653 GR 33	-	WELDED TO ⑧. USE AT (4) LOCATIONS TO SUPPORT ⑨
⑧	STUB (VERTICAL)	1 3/4" x 1 3/4" x 1 7/8"LONG (14 GAUGE)	GALVANIZED STEEL ASTM A653 GR 33	-	WELDED TO ⑦. CONNECT TO ⑤ W/(2) ⑩ AT EA SIDE. SEE DETAIL 2 ON SHEET 7
⑨	STRINGER	1" x 2" x 3" X 16GA THK. CHANNEL	GALVANIZED STEEL ASTM A653 GR 33	-	SUPPORT FOR A.H.U. CONNECT TO ⑤ W/(2) ⑩ AT 4 LOCATIONS. SEE DETAIL 2 ON SHEET 7.
⑩	TEK SCREW	1/4"Ø x 3/4"	304 S.S	ITW/ BUILDEX	SEE DETAILS 1/6 & 2/7 FOR USE.



②A EYE BOLT ②B PLATE WASH FOR ②A ③ UNISTRUTS ④ STEEL TRAY ⑤ TRAY BRACE.

⑥ STOP ANGLE FOR ④ ⑦ BASE PLATE FOR ⑧ ⑧ STUB (VERTICAL) 1 7/8" LONG ⑨ STRINGER

COMPONENTS
OPTIONAL SYSTEM #1 W/ (7) + (8)
 SCALE: N.T.S

FLORIDA BUILDING CODE (High and Non High Velocity Hurricane Zone)

DRAWN BY: W.H DATE: 02/08/2024

24-009 DRAWING No

SHEET 2 OF 15

INTERIOR A.H.U ROOF HANGING STEEL STANDS

F&L ALUMINUM PARTS, INC.
 2087 N. POWERLINE RD. SUITE #1
 POMPANO BEACH, FL. 33069

© 2024 TILTECO INC.

TILTECO inc.

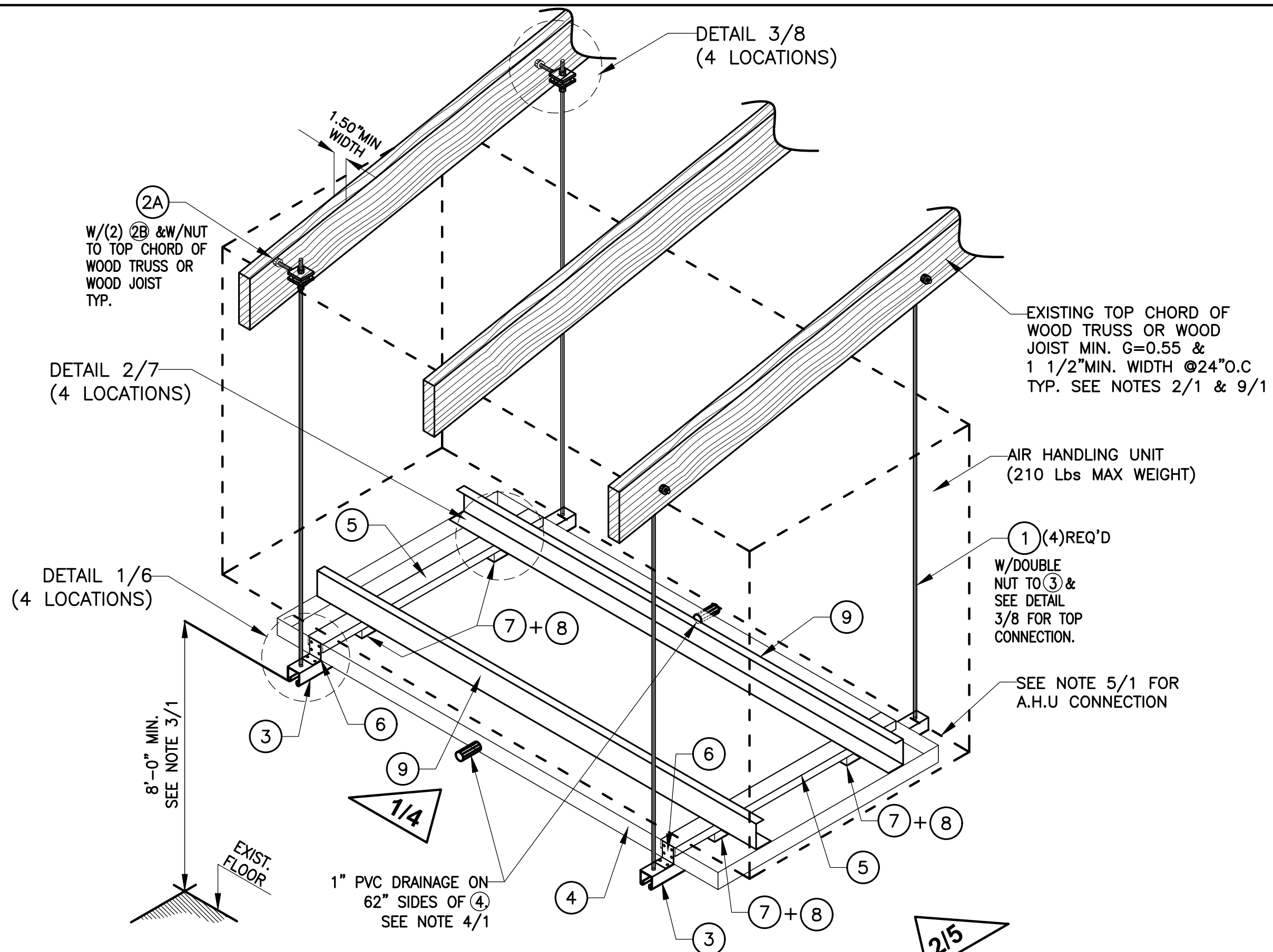
TILLIT TESTING & ENGINEERING COMPANY
 6355 N.W. 36th. St. Ste. 305, VIRGINIA GARDENS, FL. 33166
 Phone : (305)871-1530 . Fax : (305)871-1531
 e-mail: titteco@aol.com
 CA-0006719
 WALTER A. TILLIT JR. P.E.
 FLORIDA Lic. # 44167

THIS ITEM HAS BEEN DIGITALLY SIGNED AND SEALED BY

PRINTED COPIES OF THIS DOCUMENT ARE NOT CONSIDERED SIGNED AND SEALED AND THE SIGNATURE MUST BE VERIFIED ON ANY ELECTRONIC COPIES.

WALTER A. TILLIT JR., P.E.
 FLORIDA Lic. # 44167

ATTENTION BUILDING OFFICIAL:
 THIS DRAWING WILL EXPIRE 4 DAYS AFTER THE DATE IS WAS SIGNED BY THIS P.E



STAND SCHEMATIC (ISOMETRIC VIEW)
OPTIONAL SYSTEM #1 W/ (7) + (8)
 SCALE: N.T.S

FLORIDA BUILDING CODE (High and Non High Velocity Hurricane Zone)

INTERIOR A.H.U ROOF HANGING STEEL STANDS

F&L ALUMINUM PARTS, INC.
 2087 N. POWERLINE RD. SUITE #1
 POMPANO BEACH, FL. 33069

© 2024 TILTECO INC.

TILTECO INC.
 TILLIT TESTING & ENGINEERING COMPANY
 6355 N.W. 36th St. Ste. 305, VIRGINIA GARDENS, FL. 33166
 Phone : (305)671-1530 . Fax : (305)671-1531
 e-mail: tilteco@aol.com
 CA-0006719
 WALTER A. TILLIT JR. P.E.
 FLORIDA Lic. # 44167

REV. NO.	DATE	DESCRIPTION
1	-	-
2	-	-
3	-	-
4	-	-

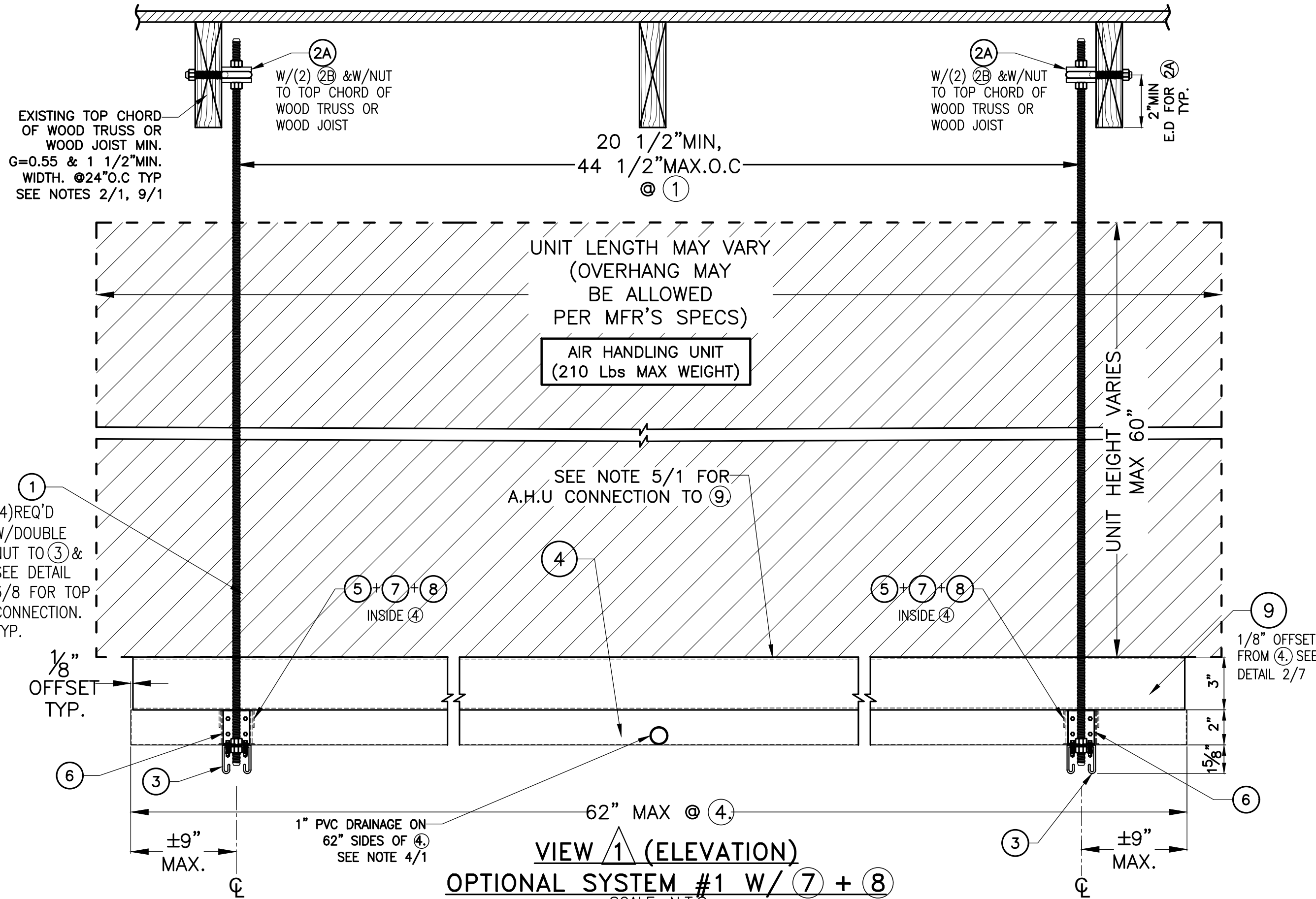
DRAWN BY: W.H
 02/08/2024
 DATE
24-009
 DRAWING No
 SHEET **3** OF 15

THIS ITEM HAS BEEN DIGITALLY SIGNED AND SEALED BY

PRINTED COPIES OF THIS DOCUMENT ARE NOT CONSIDERED SIGNED AND SEALED AND THE SIGNATURE MUST BE VERIFIED ON ANY ELECTRONIC COPIES.

WALTER A. TILLIT JR., P.E.
 FLORIDA Lic. # 44167

ATTENTION BUILDING OFFICIAL:
 THIS DRAWING WILL EXPIRE 4 DAYS AFTER THE DATE IS WAS SIGNED BY THIS P.E



EXISTING TOP CHORD OF WOOD TRUSS OR WOOD JOIST MIN. G=0.55 & 1 1/2" MIN. WIDTH. @24" O.C TYP SEE NOTES 2/1, 9/1

W/(2) (2B) & W/NUT TO TOP CHORD OF WOOD TRUSS OR WOOD JOIST

W/(2) (2B) & W/NUT TO TOP CHORD OF WOOD TRUSS OR WOOD JOIST

2" MIN E.D FOR (2A) TYP.

20 1/2" MIN, 44 1/2" MAX. O.C @ (1)

UNIT LENGTH MAY VARY (OVERHANG MAY BE ALLOWED PER MFR'S SPECS)

AIR HANDLING UNIT (210 Lbs MAX WEIGHT)

UNIT HEIGHT VARIES MAX 60"

SEE NOTE 5/1 FOR A.H.U CONNECTION TO (9).

(4) REQ'D W/DOUBLE NUT TO (3) & SEE DETAIL 3/8 FOR TOP CONNECTION. TYP.

(5) + (7) + (8) INSIDE (4)

(5) + (7) + (8) INSIDE (4)

(9) 1/8" OFFSET FROM (4). SEE DETAIL 2/7

1/8" OFFSET TYP.

±9" MAX.

1" PVC DRAINAGE ON 62" SIDES OF (4) SEE NOTE 4/1

62" MAX @ (4)

±9" MAX.

VIEW 1 (ELEVATION)

OPTIONAL SYSTEM #1 W/ (7) + (8)

SCALE: N.T.S

FLORIDA BUILDING CODE (High and Non High Velocity Hurricane Zone)

INTERIOR A.H.U ROOF HANGING STEEL STANDS

F&L ALUMINUM PARTS, INC.

2087 N. POWERLINE RD. SUITE #1
POMPANO BEACH, FL. 33069

© 2024 TILTECO INC.

TILECO inc.

TILLIT TESTING & ENGINEERING COMPANY
6355 N.W. 26th St., Ste. 305, VIRGINIA GARDENS, FL. 33166
Phone : (305)871-1530 . Fax : (305)871-1531
e-mail: titteco@aol.com

WALTER A. TILLIT JR. P.E.
FLORIDA Lic. # 44167

THIS ITEM HAS BEEN DIGITALLY SIGNED AND SEALED BY

PRINTED COPIES OF THIS DOCUMENT ARE NOT CONSIDERED SIGNED AND SEALED AND THE SIGNATURE MUST BE VERIFIED ON ANY ELECTRONIC COPIES.

WALTER A. TILLIT JR., P.E.
FLORIDA Lic. # 44167

ATTENTION BUILDING OFFICIAL:
THIS DRAWING WILL EXPIRE 4 DAYS AFTER THE DATE IS WAS SIGNED BY THIS P.E

DRAWN BY: W.H

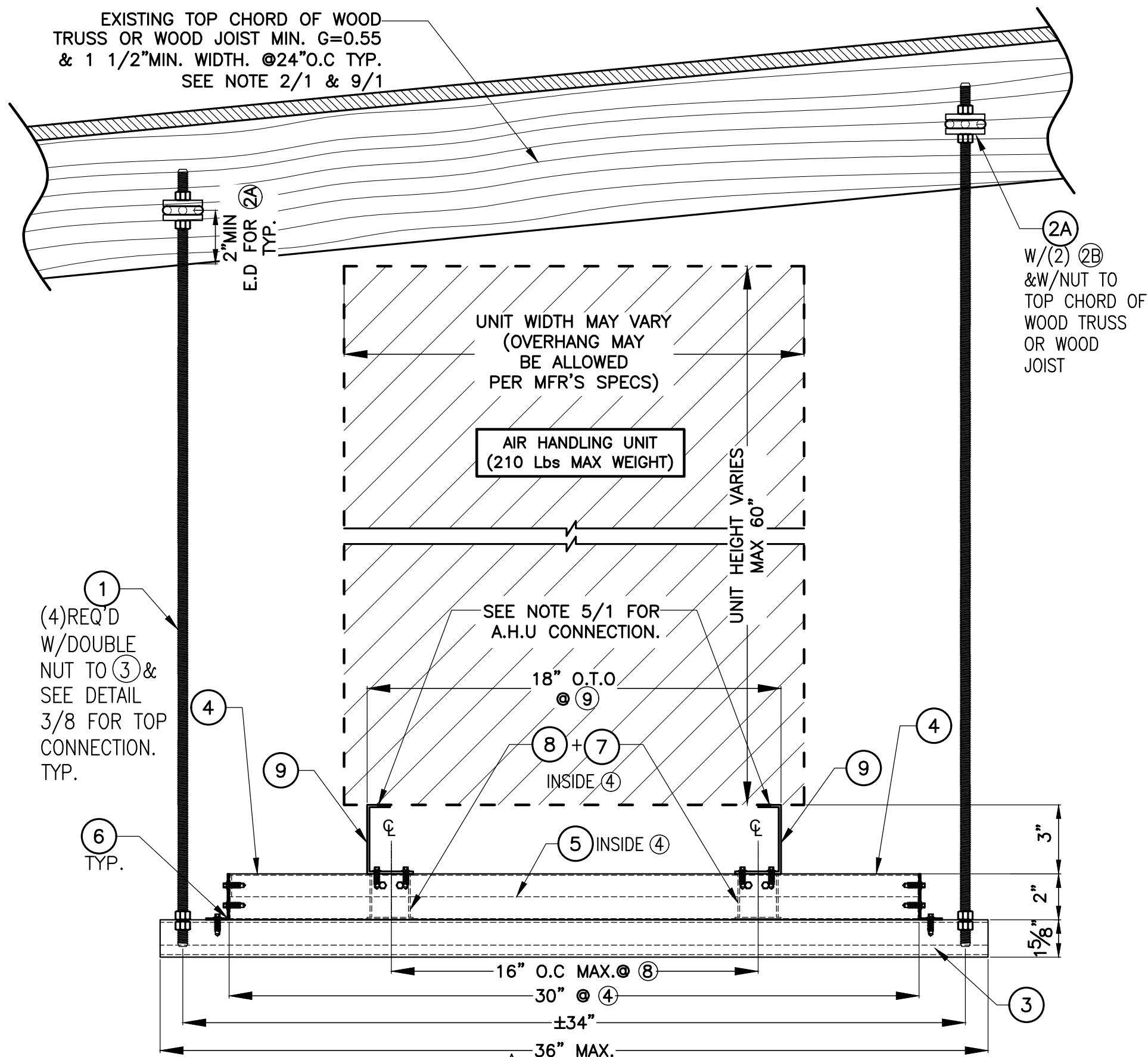
DATE: 02/08/2024

DRAWING No: 24-009

SHEET 4 OF 15

REV. No	DATE	DESCRIPTION
1		
2		
3		
4		

EXISTING TOP CHORD OF WOOD TRUSS OR WOOD JOIST MIN. G=0.55 & 1 1/2" MIN. WIDTH. @24" O.C TYP. SEE NOTE 2/1 & 9/1



① (4)REQ'D W/DOUBLE NUT TO ③ & SEE DETAIL 3/8 FOR TOP CONNECTION. TYP.

②A W/(2) ②B &W/NUT TO TOP CHORD OF WOOD TRUSS OR WOOD JOIST

VIEW Δ 2 (ELEVATION)
 OPTIONAL SYSTEM #1 W/ ⑦ + ⑧
 SCALE: N.T.S

FLORIDA BUILDING CODE (High and Non High Velocity Hurricane Zone)

DRAWN BY: W.H
 02/08/2024
 DATE
 24-009
 DRAWING No

INTERIOR A.H.U ROOF HANGING STEEL STANDS
 F&L ALUMINUM PARTS, INC.
 2087 N. POWERLINE RD. SUITE #1
 POMPANO BEACH, FL. 33069

© 2024 TILTECO INC.
TILTECO INC.
 TILLIT TESTING & ENGINEERING COMPANY
 6355 N.W. 36th St. Ste. 305, VIRGINIA GARDENS, FL 33166
 Phone : (305)671-1530 . Fax : (305)671-1531
 e-mail: tilteco@aol.com
 CA-0006719
 WALTER A. TILLIT JR. P.E.
 FLORIDA Lic. # 44167

THIS ITEM HAS BEEN DIGITALLY SIGNED AND SEALED BY

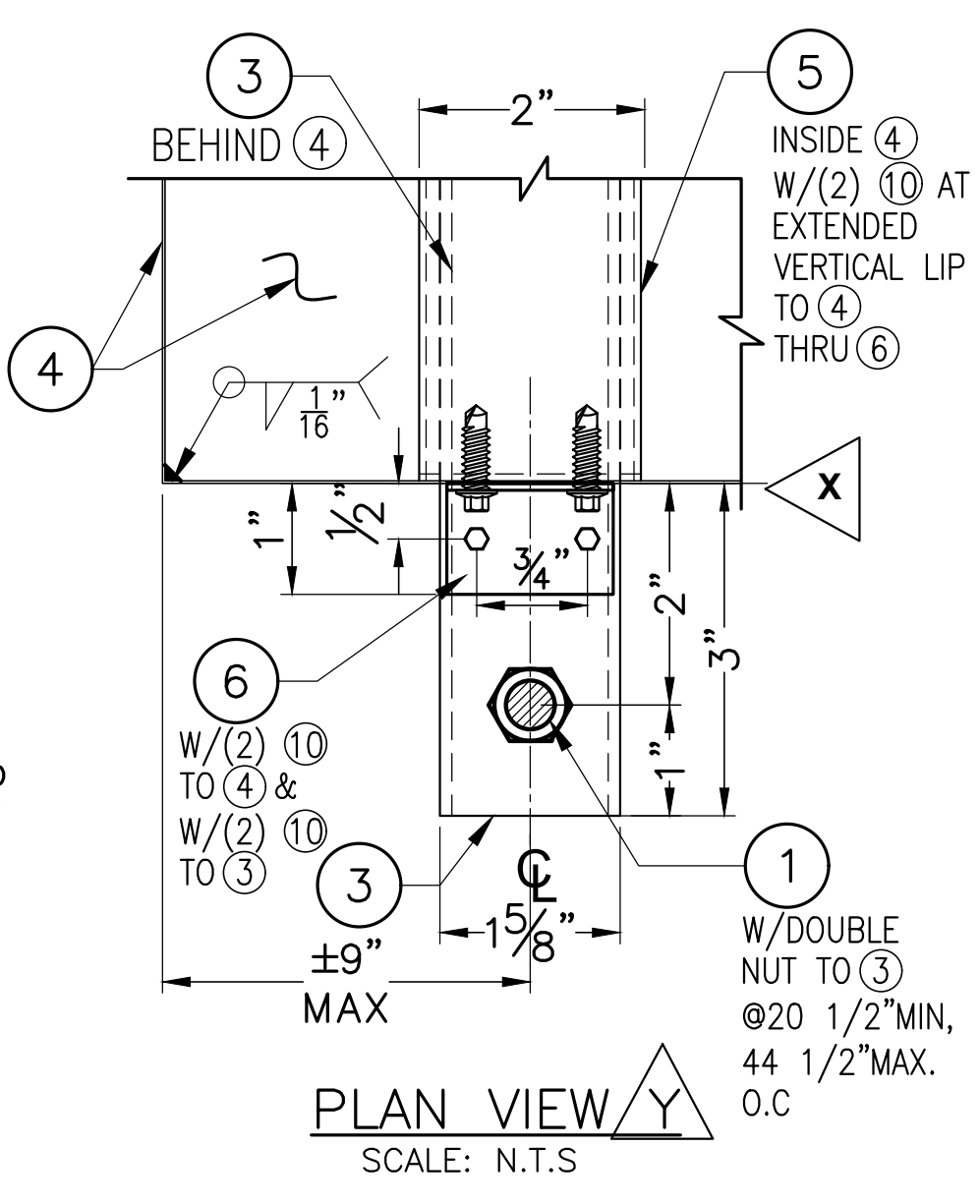
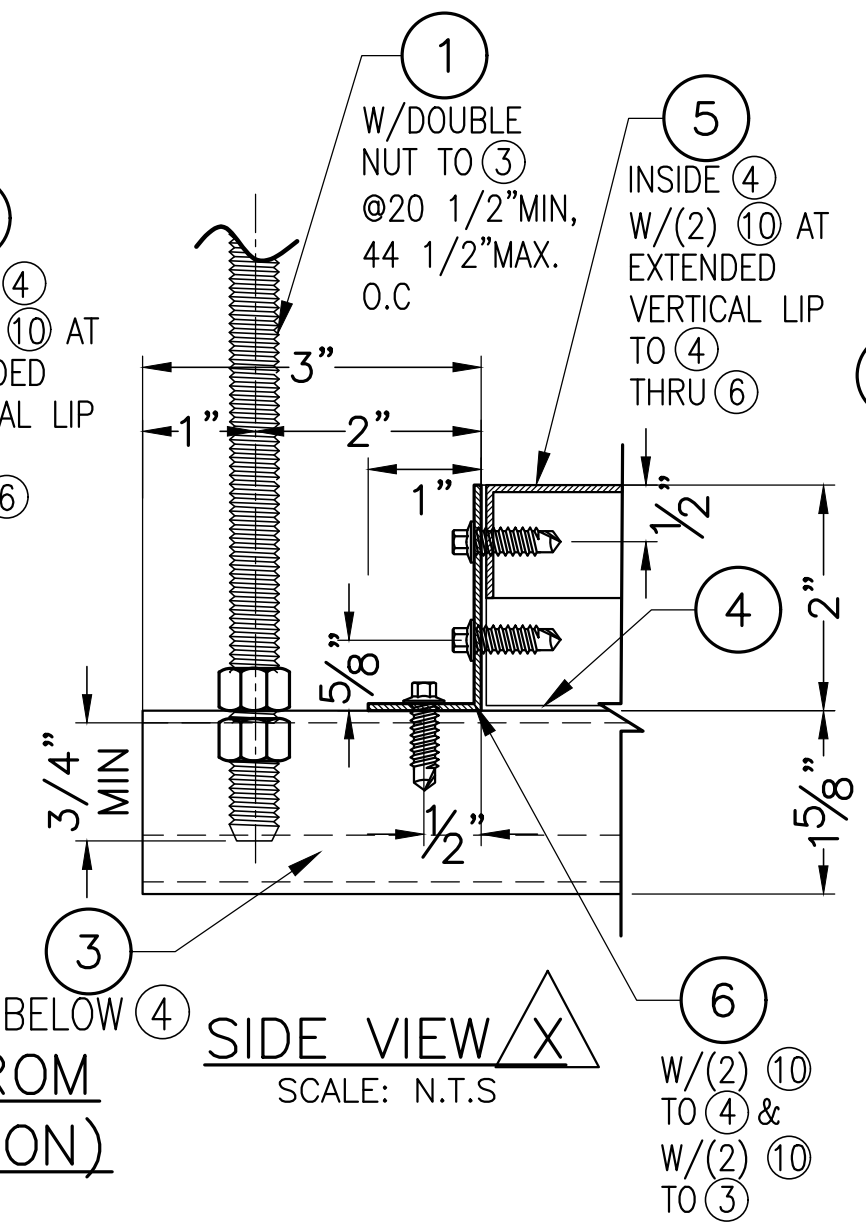
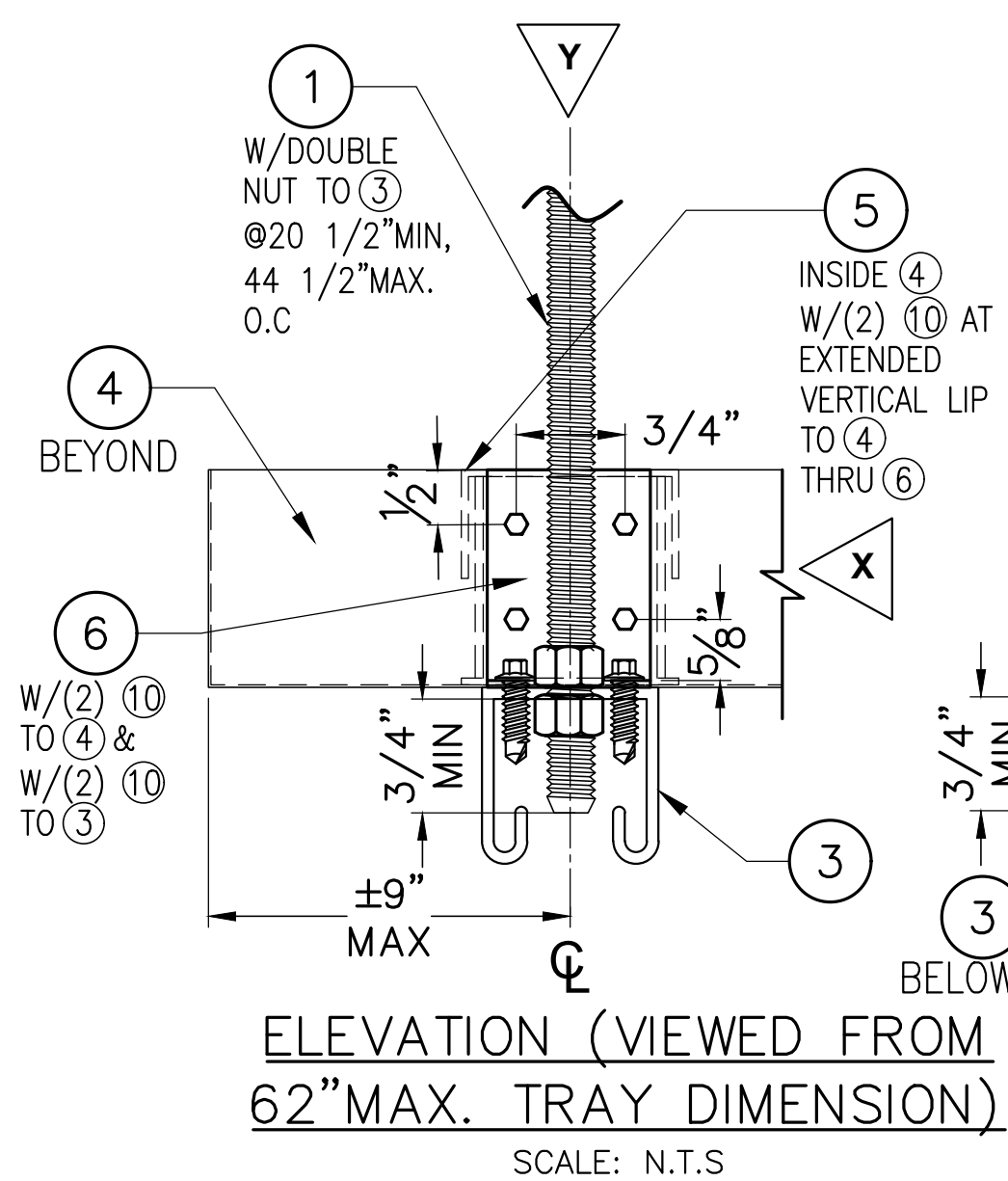
PRINTED COPIES OF THIS DOCUMENT ARE NOT CONSIDERED SIGNED AND SEALED AND THE SIGNATURE MUST BE VERIFIED ON ANY ELECTRONIC COPIES.

WALTER A. TILLIT JR., P.E.
 FLORIDA Lic. # 44167

ATTENTION BUILDING OFFICIAL:
 THIS DRAWING WILL EXPIRE 4 DAYS AFTER THE DATE IS WAS SIGNED BY THIS P.E

REV. NO	DATE	DESCRIPTION
1		
2		

SHEET 5 OF 15



DETAIL 1: OPTIONAL SYSTEM #1 W/ ⑦ + ⑧

SCALE: N.T.S.

FLORIDA BUILDING CODE (High and Non High Velocity Hurricane Zone)

INTERIOR A.H.U ROOF HANGING STEEL STANDS

F&L ALUMINUM PARTS, INC.
2087 N. POWERLINE RD. SUITE #1
POMPANO BEACH, FL. 33069

© 2024 TILTECO INC.

TILTECO INC.
TILLIT TESTING & ENGINEERING COMPANY
6355 N.W. 36th St. Ste. 305, VIRGINIA GARDENS, FL. 33166
Phone: (305)671-1530 Fax: (305)671-1531
e-mail: tilteco@aol.com

WALTER A. TILLIT JR. P.E.
FLORIDA Lic. # 44167

REV. NO.	DATE	DESCRIPTION
1		
2		
3		
4		

DRAWN BY: W.H
02/08/2024
DATE

24-009
DRAWING No

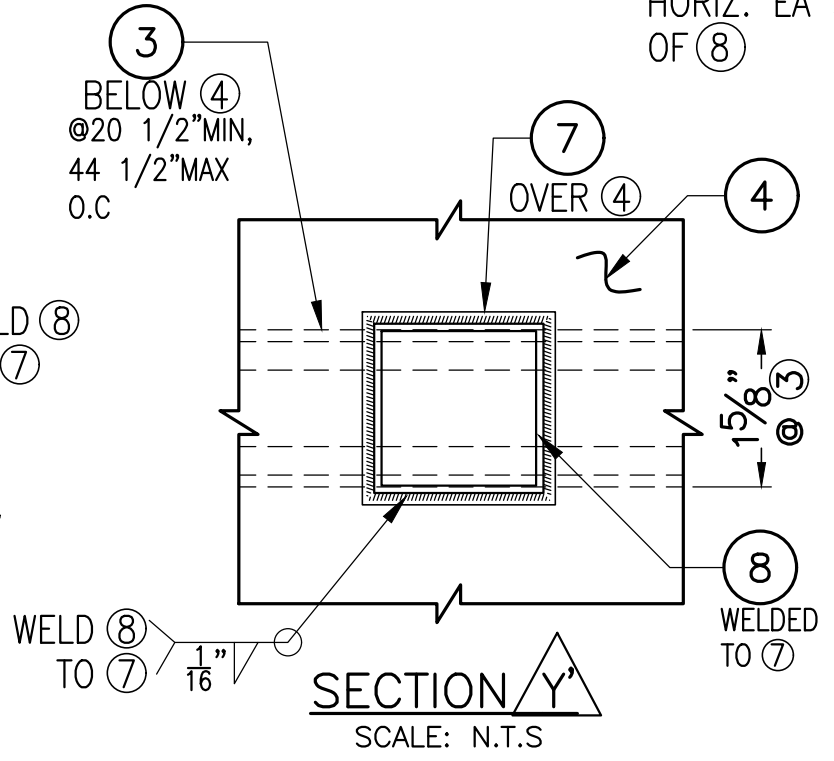
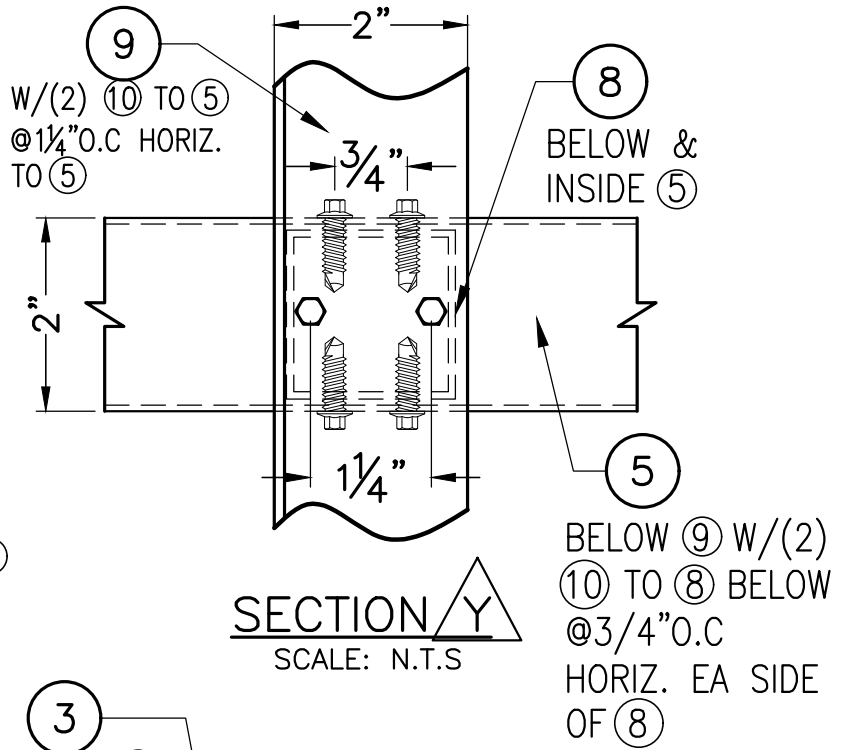
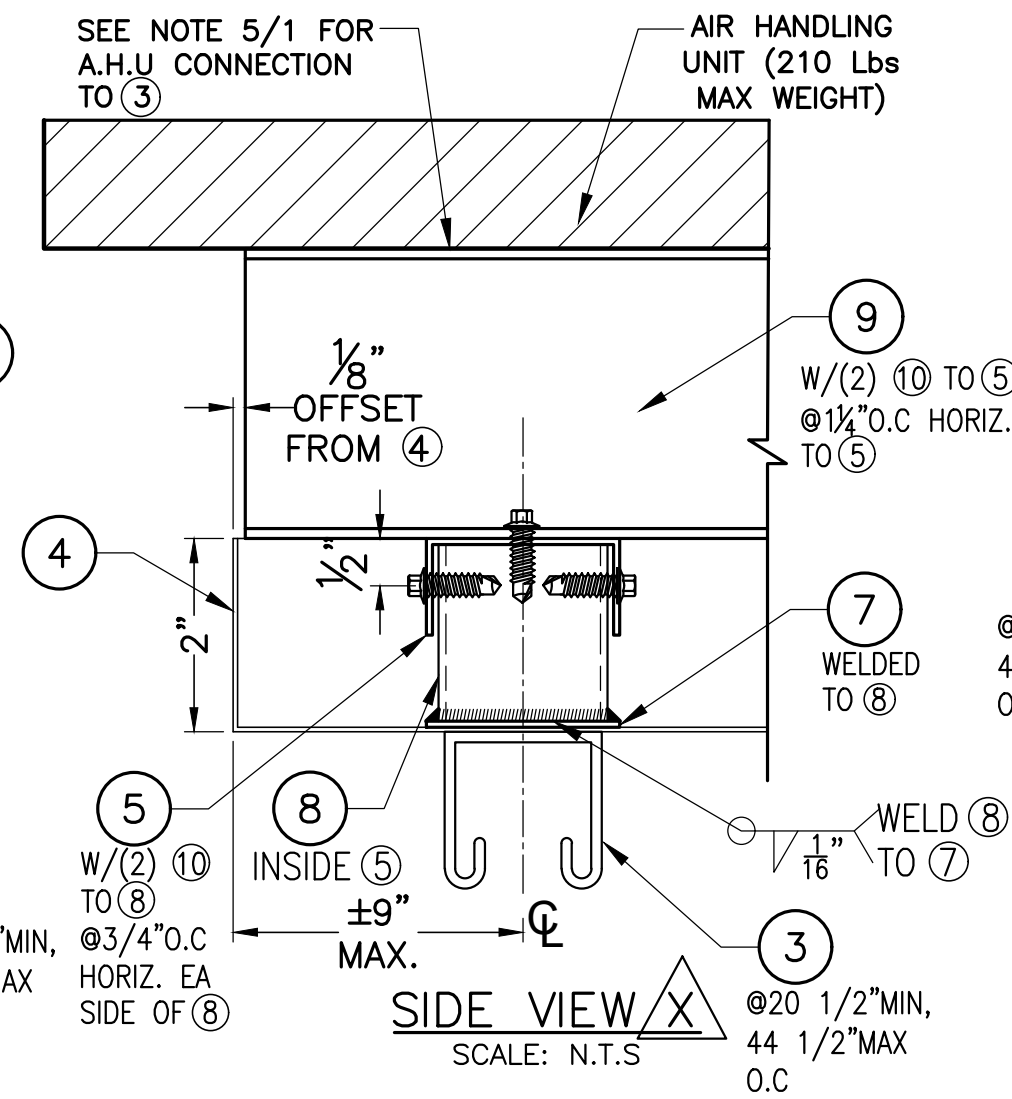
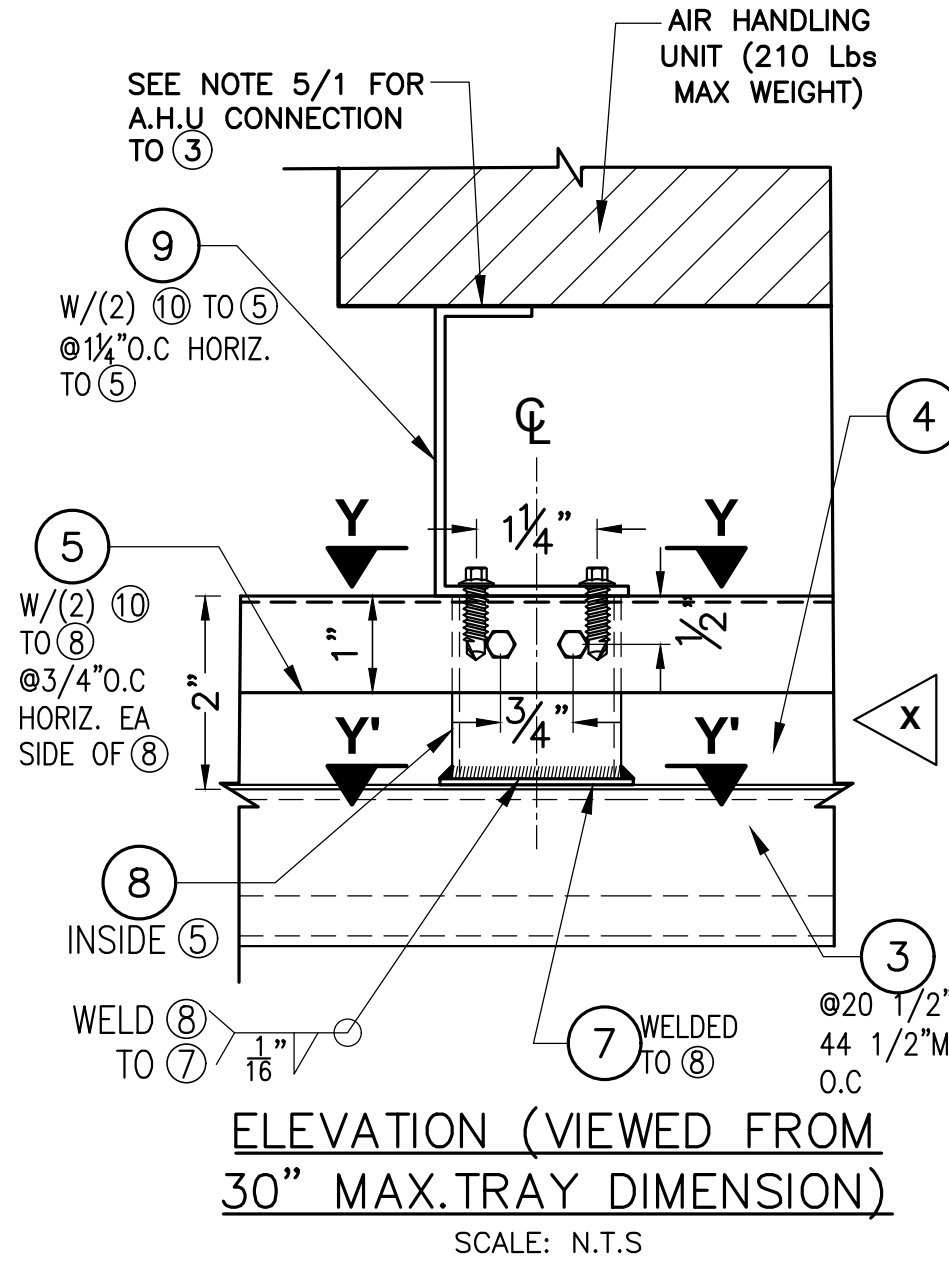
SHEET 6 OF 15

THIS ITEM HAS BEEN DIGITALLY SIGNED AND SEALED BY

PRINTED COPIES OF THIS DOCUMENT ARE NOT CONSIDERED SIGNED AND SEALED AND THE SIGNATURE MUST BE VERIFIED ON ANY ELECTRONIC COPIES.

WALTER A. TILLIT JR., P.E.
FLORIDA Lic. # 44167

ATTENTION BUILDING OFFICIAL:
THIS DRAWING WILL EXPIRE 4 DAYS AFTER THE DATE IS WAS SIGNED BY THIS P.E.



DETAIL 2: OPTIONAL SYSTEM #1 W/ ⑦ + ⑧

SCALE: N.T.S

FLORIDA BUILDING CODE (High and Non High Velocity Hurricane Zone)

INTERIOR A.H.U ROOF HANGING STEEL STANDS

F&L ALUMINUM PARTS, INC.
 2087 N. POWERLINE RD. SUITE #1
 POMPANO BEACH, FL. 33069

TILECO INC.
 © 2024 TILECO INC.
 TILLIT TESTING & ENGINEERING COMPANY
 6355 N.W. 36th St. Ste. 305 VIRGINIA GARDENS FL 33166
 Phone: (305)671-1530 Fax: (305)671-1531
 e-mail: titlco@aol.com
 CA-0006719
 WALTER A. TILLIT JR. P.E.
 FLORIDA Lic. # 44167

REV. NO.	DATE	DESCRIPTION
1		
2		
3		
4		

DRAWN BY: W.H
 02/08/2024
 DATE
24-009
 DRAWING No
 SHEET 7 OF 15

THIS ITEM HAS BEEN DIGITALLY SIGNED AND SEALED BY

PRINTED COPIES OF THIS DOCUMENT ARE NOT CONSIDERED SIGNED AND SEALED AND THE SIGNATURE MUST BE VERIFIED ON ANY ELECTRONIC COPIES.

WALTER A. TILLIT JR., P.E.
 FLORIDA Lic. # 44167

ATTENTION BUILDING OFFICIAL:
 THIS DRAWING WILL EXPIRE 4 DAYS AFTER THE DATE IS WAS SIGNED BY THIS P.E

FLORIDA BUILDING CODE (High and Non High Velocity Hurricane Zone)

DRAWN BY: W.H
DATE: 02/08/2024
DRAWING No: 24-009
SHEET 8 OF 15

INTERIOR A.H.U ROOF HANGING STEEL STANDS
F&L ALUMINUM PARTS, INC.
2087 N. POWERLINE RD. SUITE #1
POMPAHO BEACH, FL. 33069

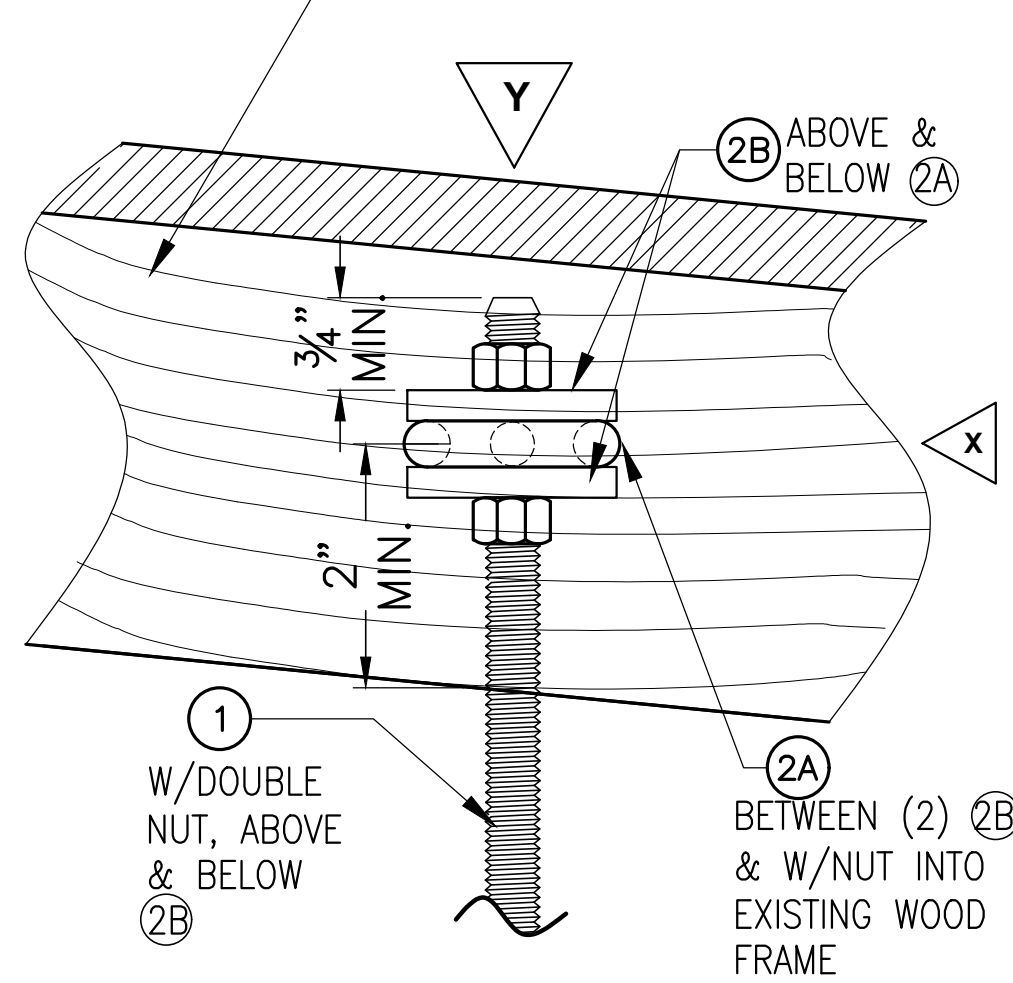
TILECO INC.
© 2024 TILECO INC.
TILLIT TESTING & ENGINEERING COMPANY
6355 N.W. 36th St. Ste. 305 VIRGINIA GARDENS, FL 33166
Phone : (305)671-1530 . Fax : (305)671-1531
e-mail: titteco@aol.com
WALTER A. TILLIT JR. P.E.
CA-0006719
FLORIDA Lic. # 44167

THIS ITEM HAS BEEN DIGITALLY SIGNED AND SEALED BY

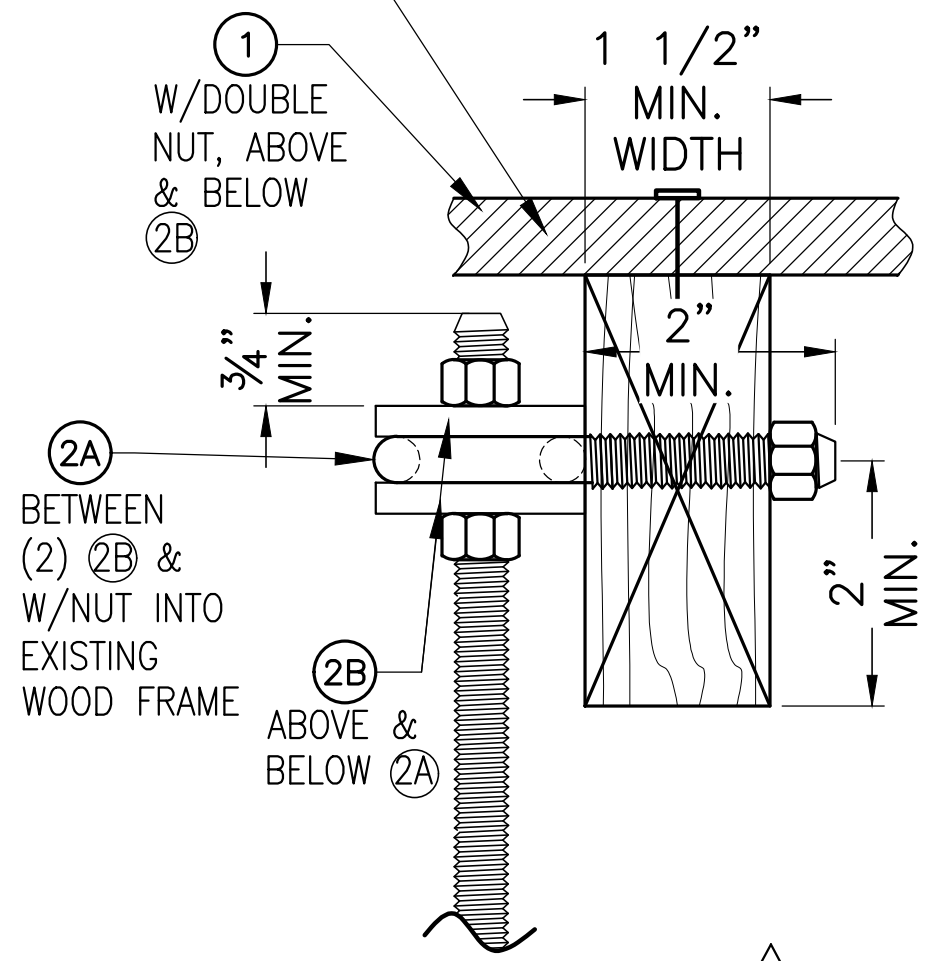
PRINTED COPIES OF THIS DOCUMENT ARE NOT CONSIDERED SIGNED AND SEALED AND THE SIGNATURE MUST BE VERIFIED ON ANY ELECTRONIC COPIES.
WALTER A. TILLIT JR., P.E.
FLORIDA Lic. # 44167

ATTENTION BUILDING OFFICIAL:
THIS DRAWING WILL EXPIRE 4 DAYS AFTER THE DATE IS WAS SIGNED BY THIS P.E

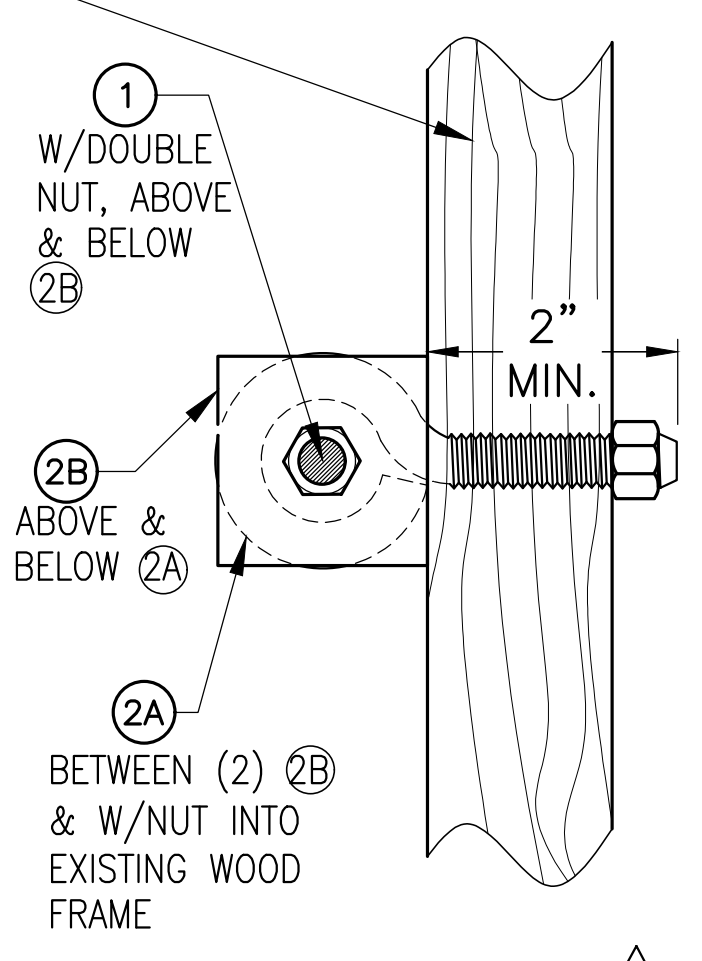
EXISTING TOP CHORD OF WOOD TRUSS OR WOOD JOIST MIN. G=0.55 & 1 1/2" MIN. WIDTH @24" O.C. TYP. SEE NOTE 2/1 & 9/1



ELEVATION (VIEWED FROM 30" MAX. TRAY DIMENSION)
SCALE: N.T.S



SIDE VIEW X
SCALE: N.T.S

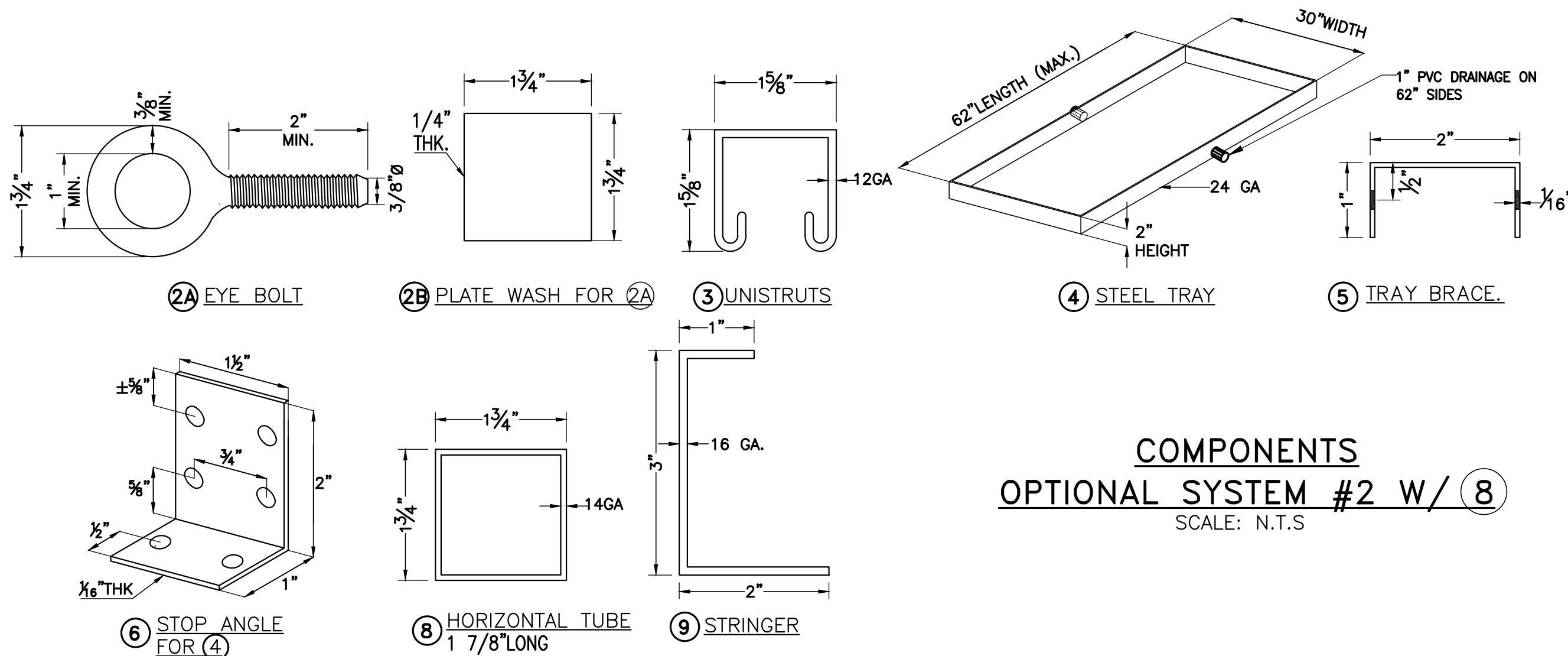


SIDE VIEW Y
SCALE: N.T.S

DETAIL 3: OPTIONAL SYSTEM #1 W/ 7 + 8
SCALE: N.T.S

BILL OF MATERIALS FOR OPTIONAL SYSTEM #2 W/ (8)

COMPONENT No.	DESCRIPTION	DIMENSIONS	MATERIAL	MANUFACTURER	NOTES
①	THREADED ROD.	3/8"Ø-16	Fy=36Ksi Fu=60Ksi	-	HANGING ROD W/DOUBLE NUT AT ③ & W/ ②A & (2) ②B TO EXISTING WOOD JOIST/TRUSS. USE (4) PER STAND. SEE DETAIL 3/15
②A	EYE BOLT.	3/8"Ø SEE DETAIL	ASTM A-489 HOT DIP GALVANIZED W/ Fy=30Ksi, Fu=65-90Ksi, Su=36-54Ksi.	-	USE W/ (2) ②B FOR CONNECTION OF ① TO EXISTING WOOD JOIST/TRUSS. USE W/ NUT @ WOOD JOIST/TRUSS. SEE DETAIL 3/15
②B	PLATE WASHER FOR ②A	1 3/4" x 1 3/4" x 1/4"THK.	COATED STEEL ASTM A-36	-	USE W/ ②A FOR CONNECTION OF ① TO EXISTING WOOD JOIST/TRUSS. SEE DETAIL 3 ON SHEET 15. USE ABOVE & BELOW ②A EA CONNECTION
③	UNISTRUT.	1 5/8" x 1 5/8" x 12GA x 3'-0" LONG.	HOT DIPPED GALV. STL. ASTM A-653 GRADE 42.	COOPER INDUSTRIES INC. OR EQUAL.	SUPPORT FOR TRAY + A.H.U. CONNECTED TO ① W/ DOUBLE NUT. SEE DETAIL 1 ON SHEET 13.
④	STEEL TRAY.	MAX. 62"LENGTH x MAX. 30"WIDTH x 2"HEIGHT x 24GA.	GALVANIZED STEEL ASTM A653 GR 33	-	WELDED EACH CORNER, W/ (2) PVC DRAIN WITH RUBBERIZED WASHER AT LARGER SIZE
⑤	TRAY BRACE.	2" x 1" X 1/16"THK. x 29.94"LONG	GALVANIZED STEEL ASTM A653 GR 33	-	INSTALL INSIDE ④. SEE DETAIL 1 ON SHEET 13 FOR CONNECTION TO ④. SEE CONNECTION TO ⑧ ON DETAIL 1/13
⑥	STOP ANGLE FOR ④	1" x 2" x 1/16"THK x 0'-1 1/2"LONG.	GALVANIZED STEEL ASTM A653 GR 33	-	CONNECT TO ④ & TO ③ SEE DETAIL 1 ON SHEET 13. USE (4) ⑥ EA. STAND @ ③
⑧	HORIZONTAL TUBE	1 3/4" x 1 3/4" x 1 7/8"LONG (14 GAUGE)	GALVANIZED STEEL ASTM A653 GR 33	-	CONNECT TO ⑤ W/(2) ⑩ AT EA SIDE. SEE DETAIL 2 ON SHEET 14
⑨	STRINGER	1" x 2" x 3" X 16GA THK. CHANNEL	GALVANIZED STEEL ASTM A653 GR 33	-	SUPPORT FOR A.H.U. CONNECT TO ⑤ W/(2) ⑩ AT 4 LOCATIONS. SEE DETAIL 2 ON SHEET 14.
⑩	TEK SCREW	1/4"Ø x 3/4"	304 S.S	ITW/ BUILDEX	SEE DETAILS 1/13 & 2/14 FOR USE.



COMPONENTS OPTIONAL SYSTEM #2 W/ (8) SCALE: N.T.S

FLORIDA BUILDING CODE (High and Non High Velocity Hurricane Zone)

DRAWN BY: W.H. DATE: 02/08/2024

24-009 DRAWING No

SHEET 9 OF 15

INTERIOR A.H.U ROOF HANGING STEEL STANDS

F&L ALUMINUM PARTS, INC.
2087 N. POWERLINE RD. SUITE #1
POMPANO BEACH, FL. 33069

© 2024 TILTECO INC.

TILTECO inc.

TILLIT TESTING & ENGINEERING COMPANY
6355 N.W. 26th St., Ste. 305, VIRGINIA GARDENS, FL. 33166
Phone : (305)871-1530 . Fax : (305)871-1531
e-mail: tilteco@aol.com
CA-0006719
WALTER A. TILLIT JR. P.E.
FLORIDA Lic. # 44167

THIS ITEM HAS BEEN DIGITALLY SIGNED AND SEALED BY

PRINTED COPIES OF THIS DOCUMENT ARE NOT CONSIDERED SIGNED AND SEALED AND THE SIGNATURE MUST BE VERIFIED ON ANY ELECTRONIC COPIES.

WALTER A. TILLIT JR., P.E.
FLORIDA Lic. # 44167

ATTENTION BUILDING OFFICIAL:
THIS DRAWING WILL EXPIRE 4 DAYS AFTER THE DATE IS WAS SIGNED BY THIS P.E

FLORIDA BUILDING CODE (High and Non High Velocity Hurricane Zone)

INTERIOR A.H.U ROOF HANGING STEEL STANDS

F&L ALUMINUM PARTS, INC.
 2087 N. POWERLINE RD. SUITE #1
 POMPANO BEACH, FL. 33069

© 2024 TILTECO INC.

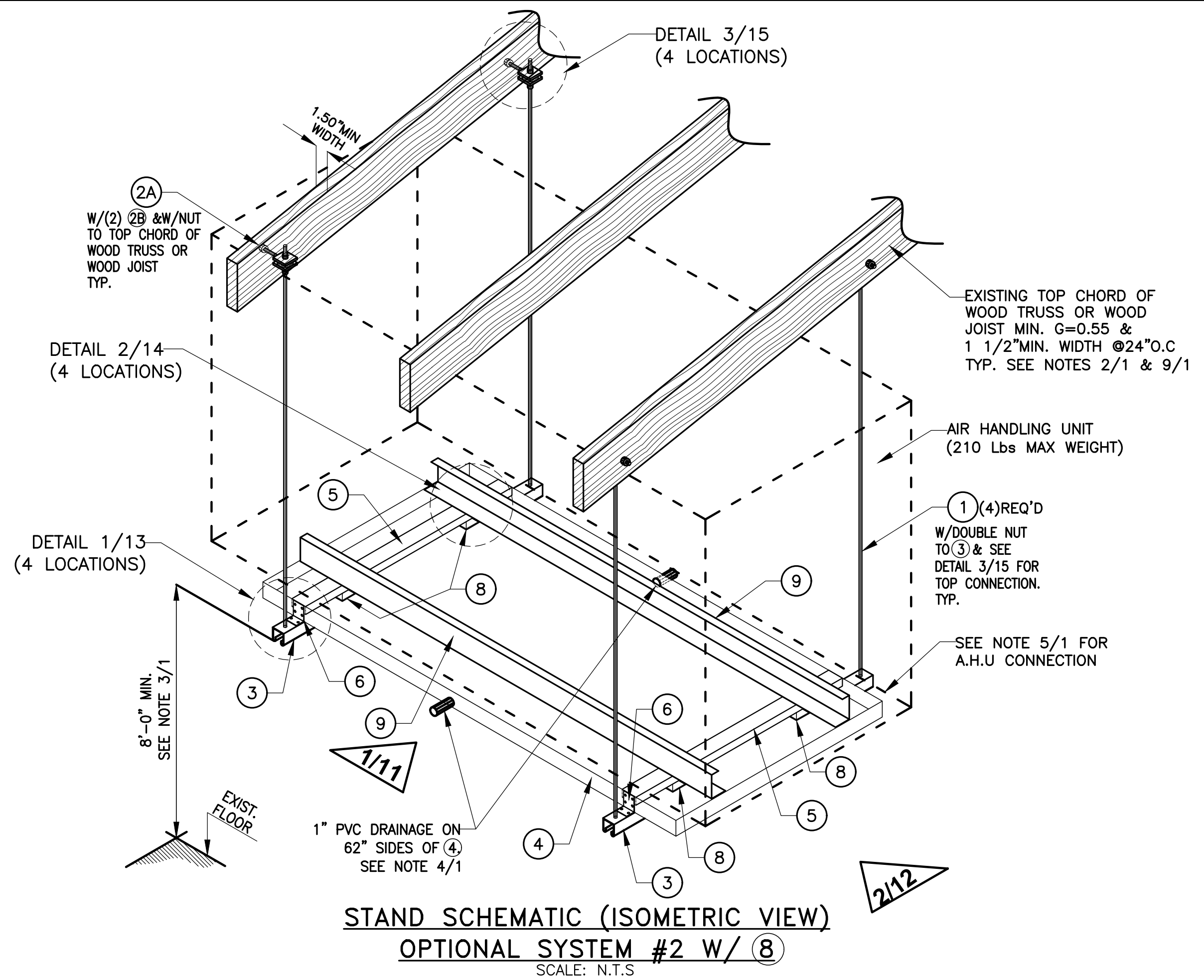
TILTECO inc.

TILLIT TESTING & ENGINEERING COMPANY
 6355 N.W. 36th St., Ste. 305, VIRGINIA GARDENS, FL. 33166
 Phone : (305)871-1530 ; Fax : (305)871-1531
 e-mail: tilteco@aol.com

CA-0006719
 WALTER A. TILLIT JR. P.E.
 FLORIDA Lic. # 44167

REV. NO.	DATE	DESCRIPTION
1		
2		
3		
4		

DRAWN BY: W.H
 DATE: 02/08/2024
 24-009
 DRAWING NO
 SHEET 10 OF 15

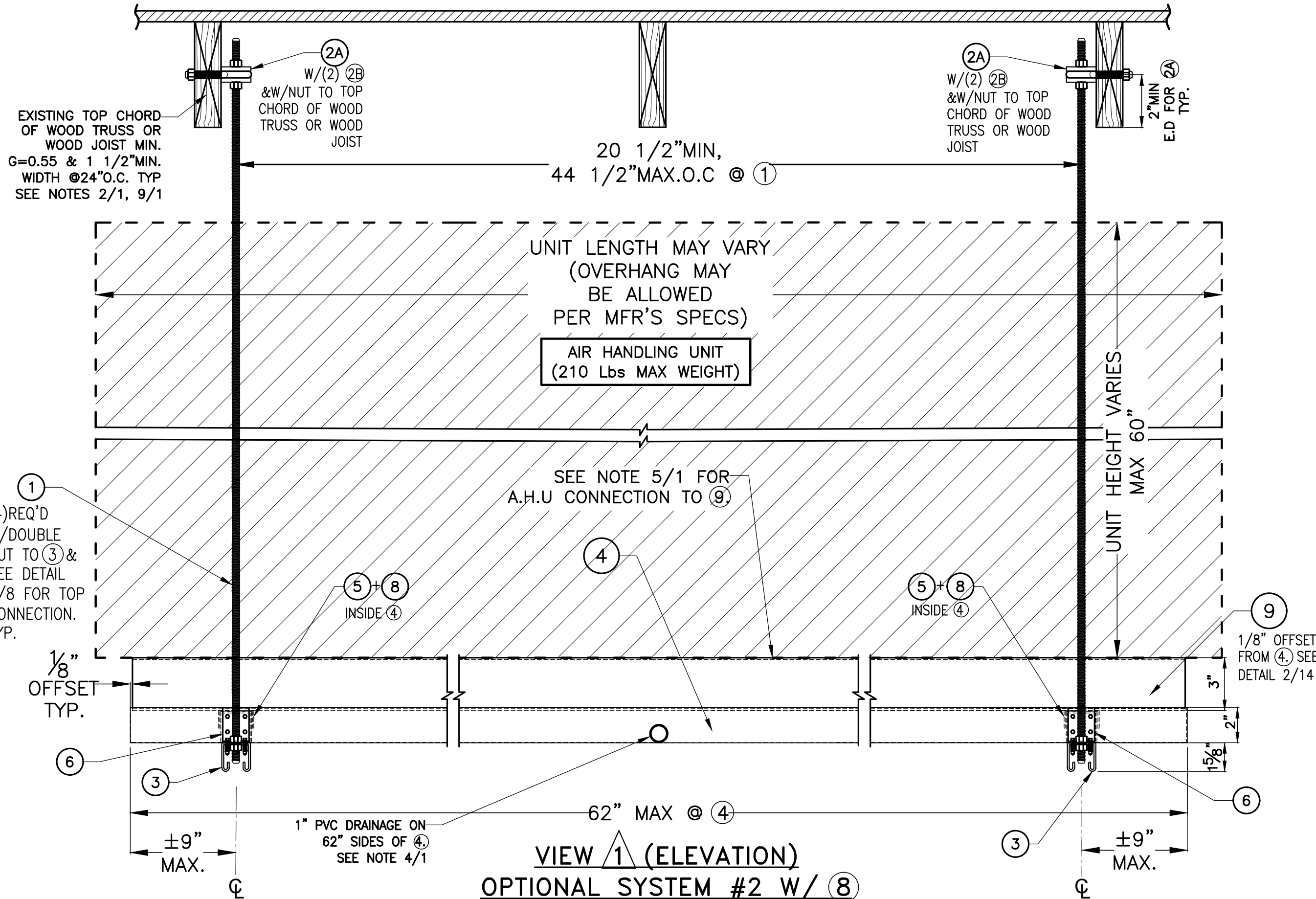


THIS ITEM HAS BEEN DIGITALLY SIGNED AND SEALED BY

PRINTED COPIES OF THIS DOCUMENT ARE NOT CONSIDERED SIGNED AND SEALED AND THE SIGNATURE MUST BE VERIFIED ON ANY ELECTRONIC COPIES.

WALTER A. TILLIT JR., P.E.
 FLORIDA Lic. # 44167

ATTENTION BUILDING OFFICIAL:
 THIS DRAWING WILL EXPIRE 4 DAYS AFTER THE DATE IS WAS SIGNED BY THIS P.E.



EXISTING TOP CHORD OF WOOD TRUSS OR WOOD JOIST MIN. G=0.55 & 1 1/2" MIN. WIDTH @24" O.C. TYP SEE NOTES 2/1, 9/1

2A
W/(2) 2B
&W/NUT TO TOP CHORD OF WOOD TRUSS OR WOOD JOIST

2A
W/(2) 2B
&W/NUT TO TOP CHORD OF WOOD TRUSS OR WOOD JOIST
2" MIN
E.D FOR 2A TYP.

20 1/2" MIN,
44 1/2" MAX. O.C @ 1

UNIT LENGTH MAY VARY (OVERHANG MAY BE ALLOWED PER MFR'S SPECS)
AIR HANDLING UNIT (210 Lbs MAX WEIGHT)

UNIT HEIGHT VARIES MAX 60"

SEE NOTE 5/1 FOR A.H.U CONNECTION TO 9.

1
(4) REQ'D W/DOUBLE NUT TO 3 & SEE DETAIL 3/8 FOR TOP CONNECTION. TYP.

5+8
INSIDE 4

5+8
INSIDE 4

9
1/8" OFFSET FROM 4. SEE DETAIL 2/14

1/8" OFFSET TYP.

3

3

±9" MAX.

±9" MAX.

1" PVC DRAINAGE ON 62" SIDES OF 4. SEE NOTE 4/1

62" MAX @ 4

VIEW 1 (ELEVATION)
OPTIONAL SYSTEM #2 W/ 8
SCALE: N.T.S

FLORIDA BUILDING CODE (High and Non High Velocity Hurricane Zone)

INTERIOR A.H.U ROOF HANGING STEEL STANDS

F&L ALUMINUM PARTS, INC.
2087 N. POWERLINE RD. SUITE #1
POMPANO BEACH, FL. 33069

© 2024 TILTECO INC.
TILTECO inc.
TILLIT TESTING & ENGINEERING COMPANY
6355 N.W. 26th St. Ste. 305, VIRGINIA GARDENS, FL. 33166
Phone : (305)871-1530 . Fax : (305)871-1531
e-mail: tilteco@aol.com
CA-0006719
WALTER A. TILLIT JR. P.E.
FLORIDA Lic. # 44167

DRAWN BY: W.H
DATE: 02/08/2024
24-009
DRAWING NO

REV. NO	DATE	DESCRIPTION
1		
2		
3		
4		

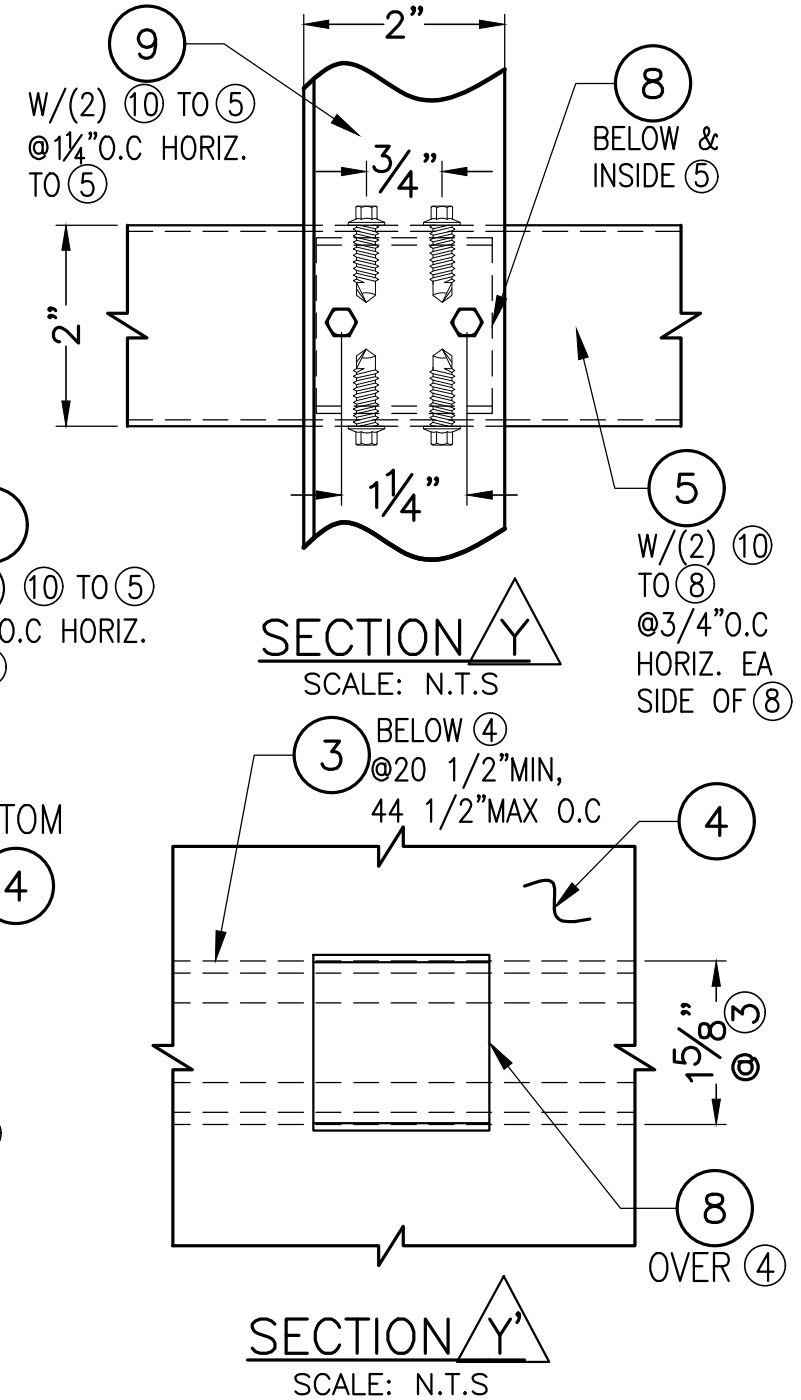
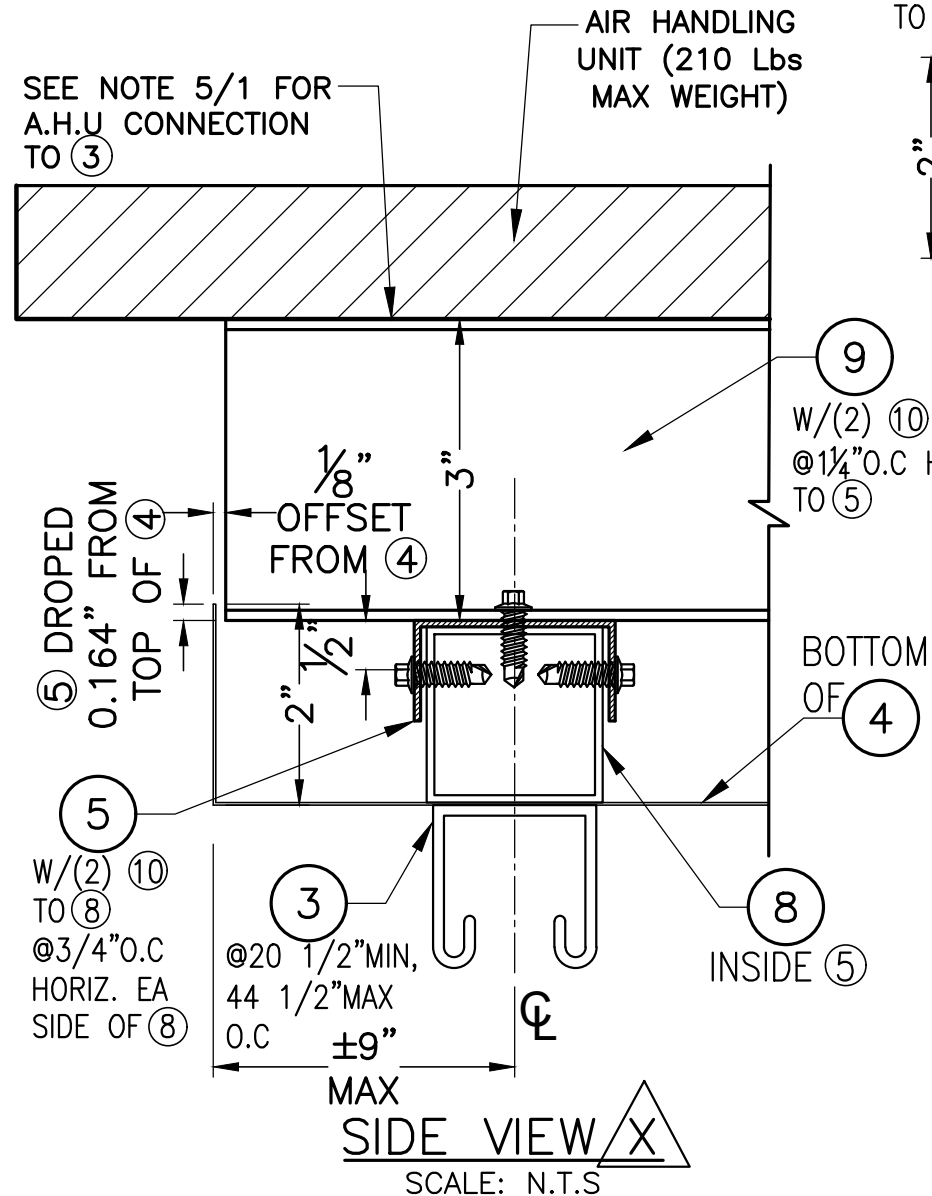
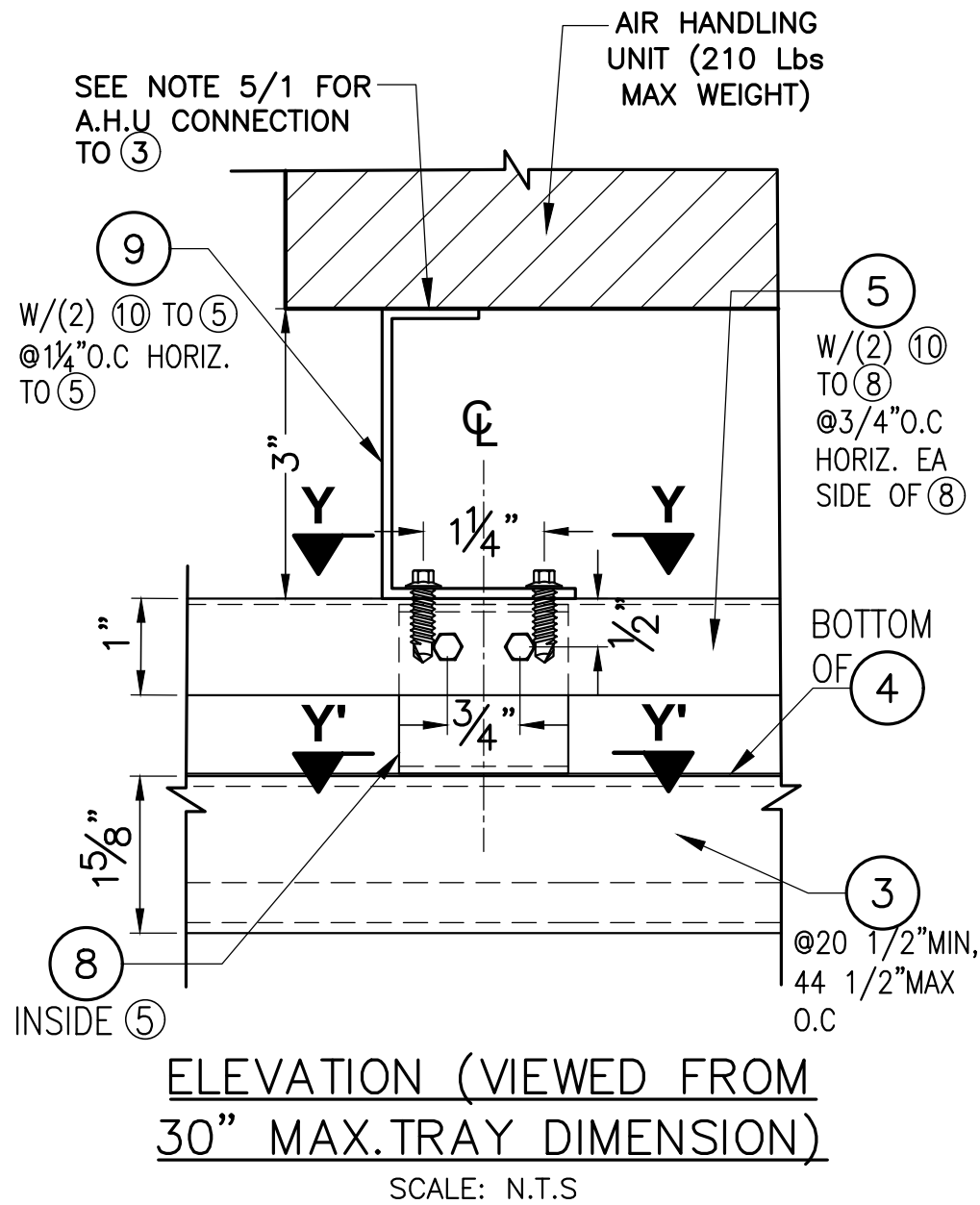
SHEET 11 OF 15

THIS ITEM HAS BEEN DIGITALLY SIGNED AND SEALED BY

PRINTED COPIES OF THIS DOCUMENT ARE NOT CONSIDERED SIGNED AND SEALED AND THE SIGNATURE MUST BE VERIFIED ON ANY ELECTRONIC COPIES.

WALTER A. TILLIT JR., P.E.
FLORIDA Lic. # 44167

ATTENTION BUILDING OFFICIAL:
THIS DRAWING WILL EXPIRE 4 DAYS AFTER THE DATE IS WAS SIGNED BY THIS P.E



DETAIL 2: OPTIONAL SYSTEM #2 W/ ⑧

SCALE: N.T.S

FLORIDA BUILDING CODE (High and Non High Velocity Hurricane Zone)

INTERIOR A.H.U ROOF HANGING STEEL STANDS

F&L ALUMINUM PARTS, INC.

2087 N. POWERLINE RD. SUITE #1
POMPANO BEACH, FL. 33069

© 2024 TILTECO INC.

TILTECO inc.

TILLIT TESTING & ENGINEERING COMPANY
6355 N.W. 26th. St. Ste. 305, VIRGINIA GARDENS, FL. 33166
Phone : (305)871-1530 . Fax : (305)871-1531
e-mail: tilteco@aol.com

CA-0006719
WALTER A. TILLIT JR. P.E.
FLORIDA Lic. # 44167

REV. NO.	DATE	DESCRIPTION
1		
2		
3		
4		

DRAWN BY: W.H
DATE: 02/08/2024
DRAWING NO: 24-009
SHEET 14 OF 15

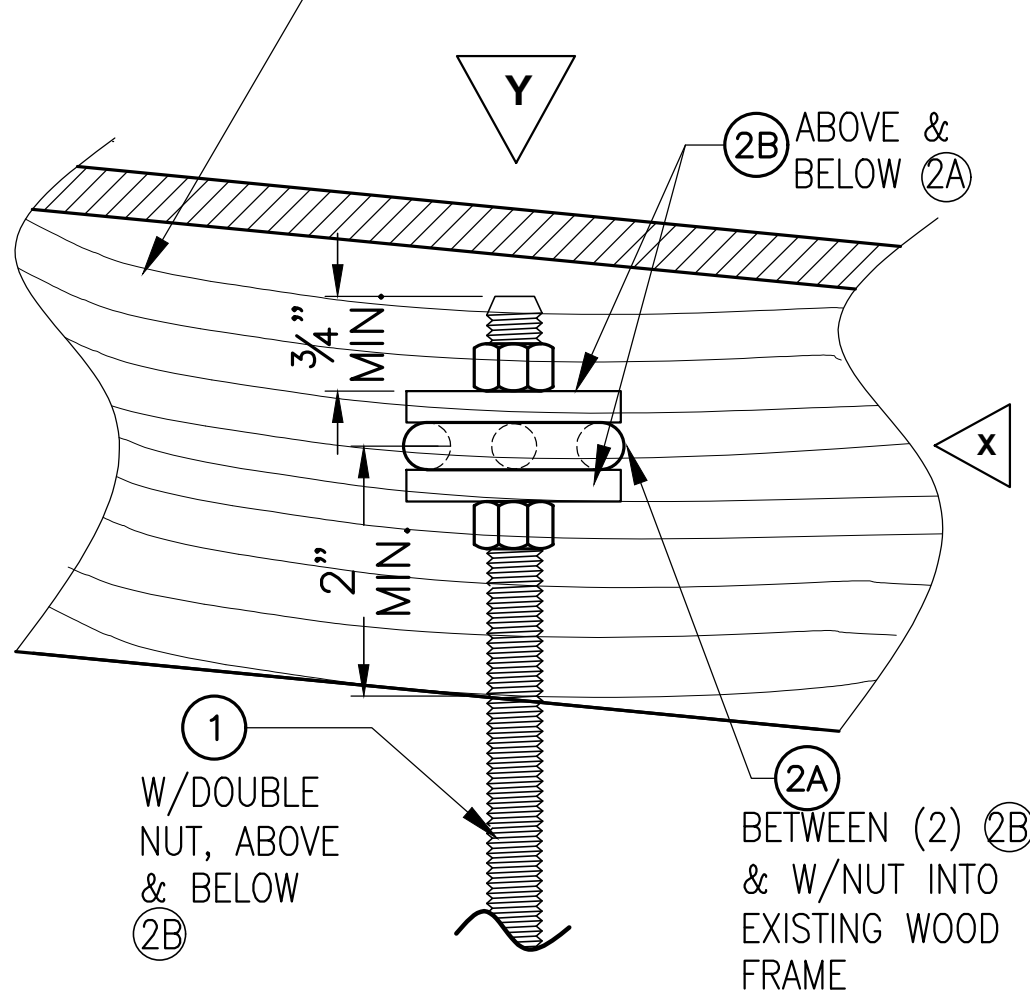
THIS ITEM HAS BEEN DIGITALLY SIGNED AND SEALED BY

PRINTED COPIES OF THIS DOCUMENT ARE NOT CONSIDERED SIGNED AND SEALED AND THE SIGNATURE MUST BE VERIFIED ON ANY ELECTRONIC COPIES.

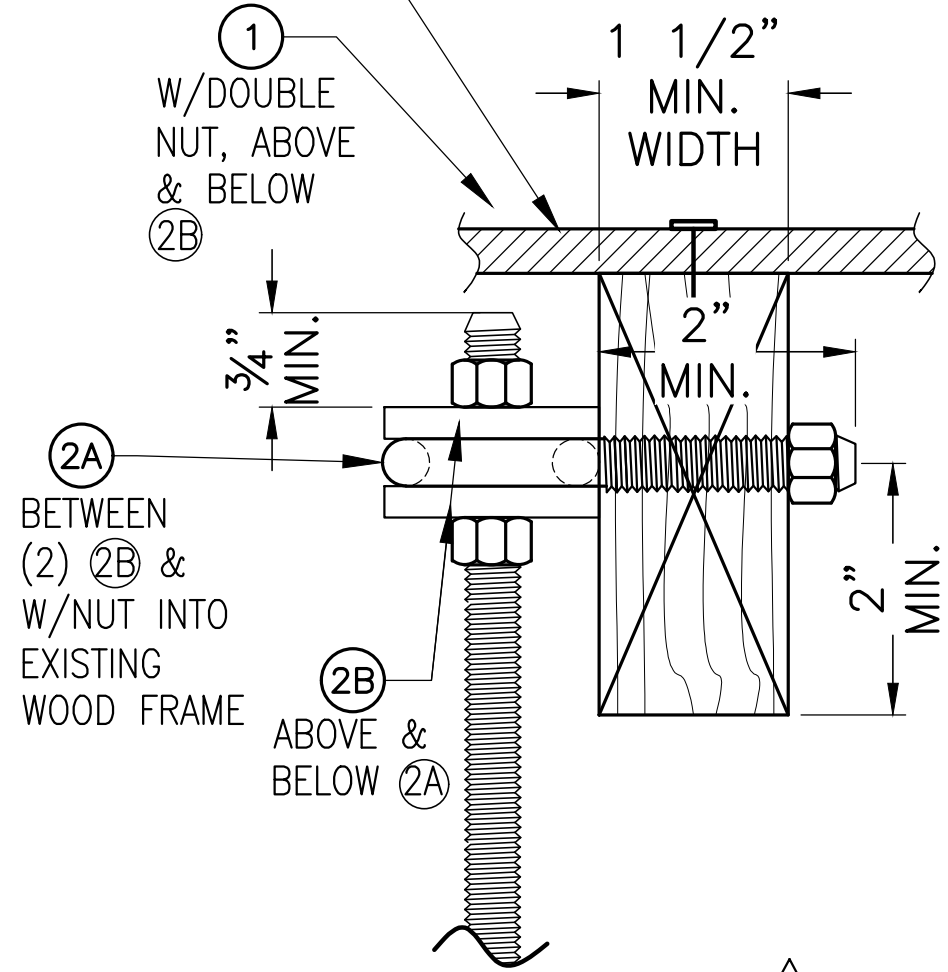
WALTER A. TILLIT JR., P.E.
FLORIDA Lic. # 44167

ATTENTION BUILDING OFFICIAL:
THIS DRAWING WILL EXPIRE 4 DAYS AFTER THE DATE IS WAS SIGNED BY THIS P.E

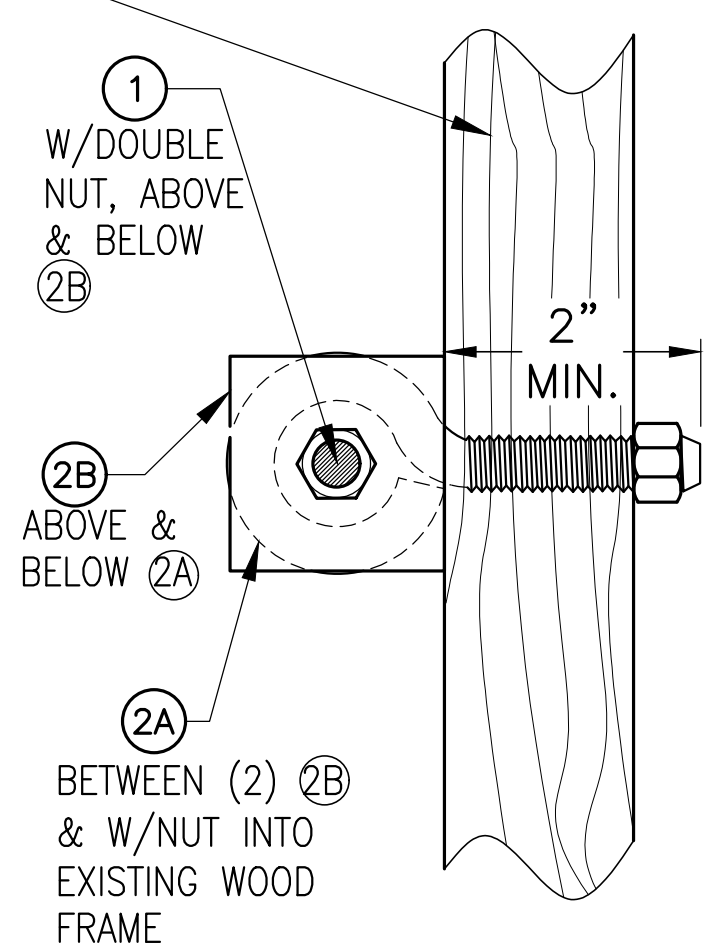
EXISTING TOP CHORD OF WOOD TRUSS OR
WOOD JOIST MIN. G=0.55 & 1 1/2" MIN.
WIDTH @24" O.C. TYP. SEE NOTE 2/1 & 9/1



ELEVATION (VIEWED FROM
30" MAX. TRAY DIMENSION)
SCALE: N.T.S



SIDE VIEW X
SCALE: N.T.S



SIDE VIEW Y
SCALE: N.T.S

DETAIL 3: OPTIONAL SYSTEM #2 W/ 8
SCALE: N.T.S

FLORIDA BUILDING CODE (High and Non High Velocity Hurricane Zone)

INTERIOR A.H.U ROOF HANGING STEEL STANDS

F&L ALUMINUM PARTS, INC.
2087 N. POWERLINE RD. SUITE #1
POMPAHO BEACH, FL. 33069

© 2024 TILTECO INC.

TILTECO INC.
TILLIT TESTING & ENGINEERING COMPANY
6355 N.W. 36th St. Ste. 305 VIRGINIA GARDENS, FL 33166
Phone : (305) 871-1530 . Fax : (305) 871-1531
e-mail: tilteco@aol.com
CA-0006719
WALTER A. TILLIT JR., P.E.
FLORIDA Lic. # 44167

REV. NO.	DATE	DESCRIPTION
1		
2		
3		
4		

DRAWN BY: W.H
DATE: 02/08/2024
DRAWING No: 24-009
SHEET 15 OF 15

THIS ITEM HAS BEEN DIGITALLY
SIGNED AND SEALED BY

PRINTED COPIES OF THIS DOCUMENT ARE
NOT CONSIDERED SIGNED AND SEALED
AND THE SIGNATURE MUST BE VERIFIED
ON ANY ELECTRONIC COPIES.

WALTER A. TILLIT JR., P.E.
FLORIDA Lic. # 44167

ATTENTION BUILDING
OFFICIAL:
THIS DRAWING WILL
EXPIRE 4 DAYS AFTER
THE DATE IS WAS
SIGNED BY THIS P.E